

CWD3M860

Digital Stepper Drive



Descriptions:

The CWD3M860 is a new generation digital 3-phase stepper motor driver, based on a 32-bit DSP processor, combination of the anti-resonance, low noise, micro-step and low temperature rise technology significantly improve the performance of the stepper motor, has low noise, small vibration, low temperature rise and high-speed torque. The driver use online adaptive PID technology, without manual adjustment can be automatically generated optimal parameters for different motors, and achieve the best performance.

Supply voltage range 20VAC to 60VAC or from 24VDC to 90VDC, suitable for driving various 3-phase hybrid stepping motors which phase current below 7.2A. The microstep can be set from full step to 40000steps/rev and the output current can be set form 2.4A to 7.2A; with automatic idle-current reduction, self-test, overvoltage, under-voltage and over-current protection.

Features:

- High-performance, low price;
- micro-step;
- Automatic idle-current reduction;
- Optical isolating signals I/O;
- Max response frequency up to 200Kpps;
- Low temperature rise, smooth motion;
- Online adaptive PID technology.

Applications:

Suitable for a variety of large-scale automation equipments and instruments. For example: labeling machine, cutting machine, packaging machine, plotter, engraving machine, CNC machine tools and so on. It always performs well when applied for equipment which requires for low-vibration, low-noise, high-precision and high-velocity.

Electrical Specifications:

Parameter	Min	Typical	Max	Unit
Input Voltage(DC)	24	-	90	VDC
Input Voltage(AC)	20	-	60	VAC
Output current	0	-	7.2	A
Pulse Signal Frequency	0	-	200	KHZ
Logic Signal Current	7	10	16	MA

Current Setting:

RMS	Peak	SW1	SW2	SW3
2.00A	2.40A	on	on	on
2.57A	3.08A	off	on	on
3.14A	3.77A	on	off	on
3.71A	4.45A	off	off	on
4.28A	5.14A	on	on	off
4.86A	5.83A	off	on	off
5.43A	6.52A	on	off	off
6.00A	7.20A	off	off	off

Standstill Current Setting:

SW4 is used for standstill current setting. OFF meaning that the standstill current is half of the dynamic current; and ON meaning that standstill current is the same as the selected dynamic current. Usually the SW4 is set to OFF, in order to reduce the heat of the motor and driver.

Microstep Setting:

Step/Rev	SW5	SW6	SW7	SW8
Default	on	on	on	on
400	off	on	on	on
800	on	off	on	on
1600	off	off	on	on
3200	on	on	off	on
6400	off	on	off	on
12800	on	off	off	on
25600	off	off	off	on
1000	on	on	on	off
2000	off	on	on	off
4000	on	off	on	off
5000	off	off	on	off
8000	on	on	off	off
10000	off	on	off	off
20000	on	off	off	off
40000	off	off	off	off

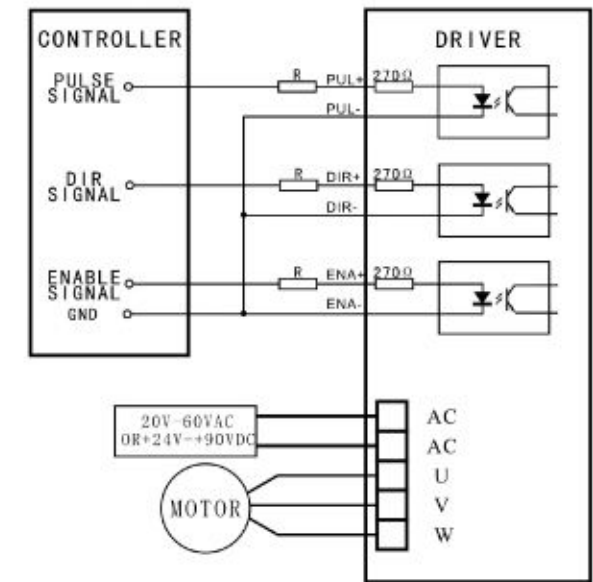
Control Signal Connector:

Control Signal connector	
Name	Description
PUL+	Pulse signal positive
PUL-	Pulse signal negative
DIR+	Direction signal positive
DIR-	Direction signal negative
ENA+	Enable signal positive, usually left unconnected(enable)
ENA-	Enable signal negative, usually left unconnected(enable)

Power and Motor Connector:

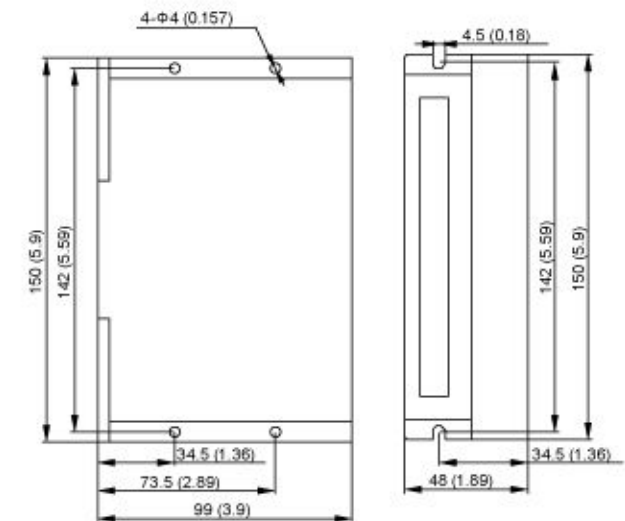
AC	Power supply
AC	+24V-90VDC OR 20~60 VAC
U	Motor phase U
V	Motor phase V
W	Motor phase W

Typical Connection:



VCC	R
5V	0
12V	680Ω
24V	1.8KΩ

Mechanical Specifications:



unit: mm(inch), 1 inch = 25.4mm