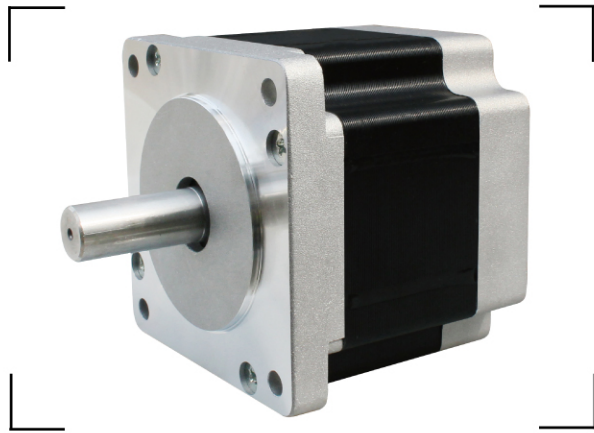


# 86BHH 步进电机

NAME 34BHH ( inch ) Series two-phase  
(four-phase ) stepper motor

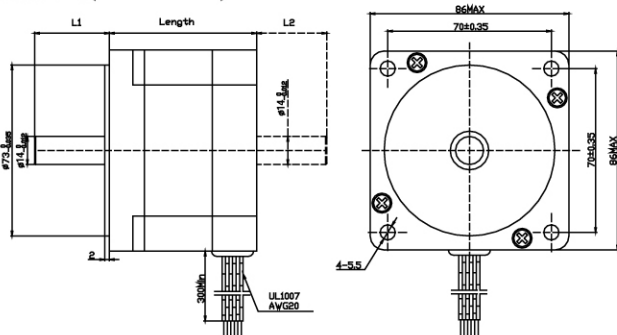


86BHH系列步进电机参数列表 NAME 34BHH(inch)series step-motor parameter list

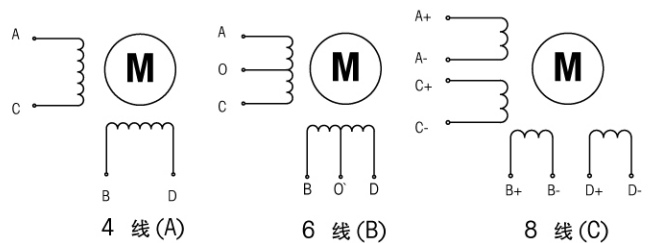
项 Item	步距角 Step Angle	步距角精度 Step Angle Accuracy	电阻精度 Resistance Accuracy	电感精度 Inductance Accuracy	温升 Temperature Rise	环境温度 Ambient Temperature	绝缘电阻 Insulation Resistance	介质强度 Dielectric Strength	径向跳动 Shaft Radial Play	轴向间隙 Shaft Axial Play
<b>规范 pecifications</b>	1.8°	±5%	±10%	±20%	80℃ Max.	-20℃~+50℃	100MΩ Min., 500VDC	500VAC for one minute	0.02Max. (450 g-load)	0.08Max. (450 g-load)

新型号 New Model	老型号 Old Model	相数 No. of Phase	电压 Voltage	电流 Current	电感 Inductance	电阻 Resistance	最大静转矩 Holding Troque	转动惯量 Rotor Inertia	重量 Weight	机身长度 Length	接线 Lead Wire Number
			V	A	mh±20%	Ω±10%	kg.cm	g.cm <sup>2</sup>	kg	mm	NO.
85BHH63-280C	85BYGH60-28-32	4	3.92	2.8	3.9	1.4	24	1200	2.3	63	8
85BHH63-400A	85BYGH60-28B	2	2.8	4	3.9	0.7	32	1200	1.7	63	4
85BHH70-400A	85BYGH70-30B-16	2	2	4	4.2	0.5	28	1300	2	70	4
85BHH70-450C	85BYGH70-45-37S	2	2.16	4.5	1.7	0.48	22	1300	2	70	8
85BHH75-200A	85BYGH450A-09	2	2.8	2	10	1.4	24	1400	2.4	75	4
85BHH75-600A	85BYGH450A-17-43	2	1.8	6	1.4	0.3	32	1400	2.3	75	4
85BHH94-240A	85BYGH94-50	2	1.4	2.4	6	0.58	35	2000	2.9	94	4
85BHH94-400A	85BYGH94-40-27.5	2	1.8	4	3.6	0.45	36	2000	2.9	94	4
85BHH100-500A	85BYGH100-06B-18	2	2.5	5	4	0.5	52	2100	3	100	4
85BHH100-600C	85BYGH100-06-32	4	6	6	4	1	69	2100	3	100	8
85BHH113-400B	85BYGH450B-04	4	2.8	4	4	0.7	42	2700	3.5	113	6
85BHH113-600A	85BYGH450B-16-40J	2	1.44	6	2	0.24	42	2700	4.8	113	4
85BHH151-400A	85BYGH450C-02	2	4	4	6.9	1	63	4000	4.9	151	4
85BHH151-600A	85BYGH450C-10	2	1.8	6	3	0.3	72	4000	5.2	151	4

## 外形图(Dimension):



## 接线图(Wiring Diagram):



注: L1及L2可根据客户要求定制