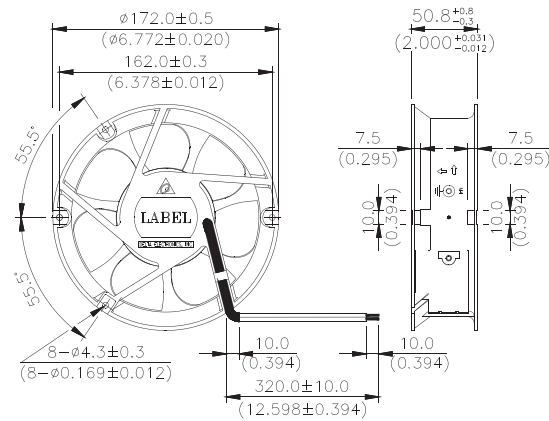


AHB Ø172 x 50.8 MM SERIES

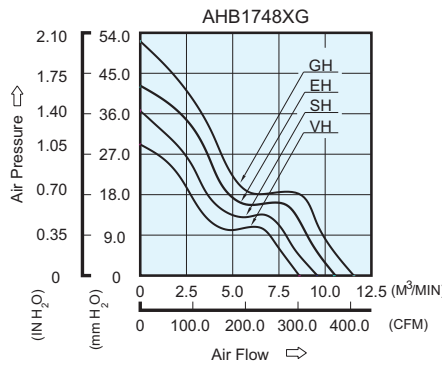
■ DIMENSIONS DRAWING



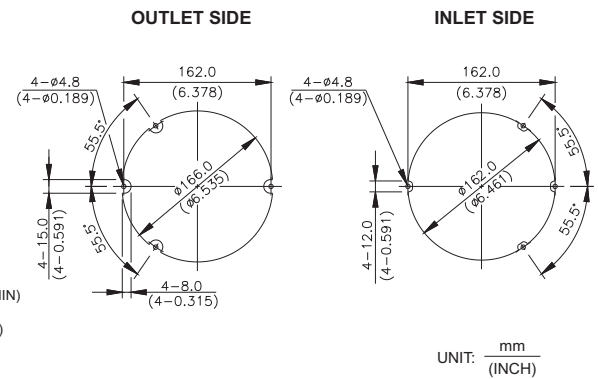
UNIT: $\frac{\text{mm}}{\text{(INCH)}}$

- * Bearing Type
Ball Bearings
- * Material
Impeller : Plastic (UL 94V-0)
Frame : Die-cast Aluminum
- * Lead Wires :
UL 1007 AWG #24 OR Equivalent
Red Wire Positive (+)
Black Wire Negative (-)
- * Weight : 820g (28.93 oz)

■ P & Q CURVE (AT RATED VOLTAGE)



■ MOUNTING PANEL CUTOUT



UNIT: $\frac{\text{mm}}{\text{(INCH)}}$

MODEL		Rated Voltage	Operating Voltage Range	Input Current	Input Power	Speed	Maximum Air Flow		Maximum Air Pressure		Noise
PART NO.	FUNCTION	VDC	VDC	Amp	Watt	R.P.M.	m ³ /min	CFM	mmH ₂ O	IN H ₂ O	dB-A
AHB1748VHG	-R00 / -F00	48	32.0 to 80.0	0.71	34.08	4000	8.760	309.37	29.75	1.171	59.5
AHB1748SHG	-R00 / -F00	48	32.0 to 80.0	0.88	42.24	4400	9.773	345.13	36.34	1.431	61.5
AHB1748EHG	-R00 / -F00	48	32.0 to 80.0	1.22	58.56	4800	10.636	375.62	43.24	1.702	64.0
AHB1748GHG	-R00 / -F00	48	32.0 to 80.0	1.52	72.96	5200	11.564	408.39	52.02	2.048	66.5

* Function type is optional.
 * The max. air flow and the speed are measured in free air ; max. air pressure is measured at zero air flow.
 * Noise is measured in anechoic chamber in free air, one meter from intake side.
 * All readings are typical values at rated voltage.
 * Specifications are subject to change without notice.