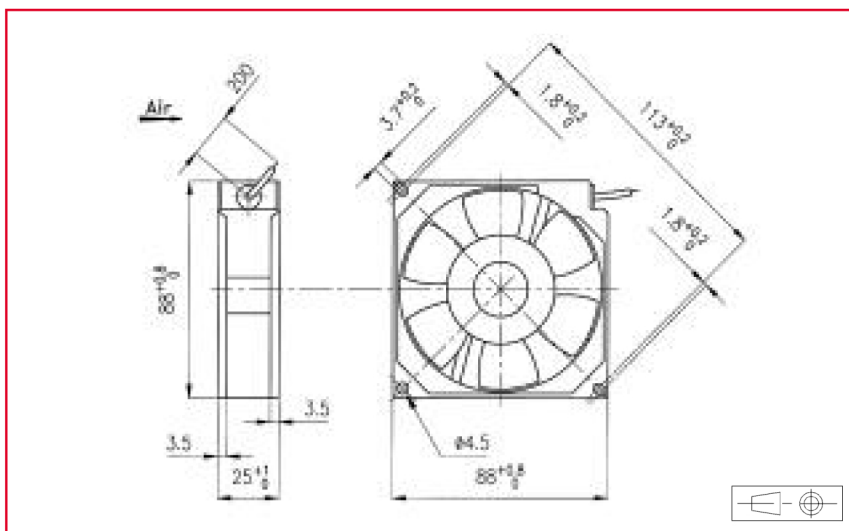
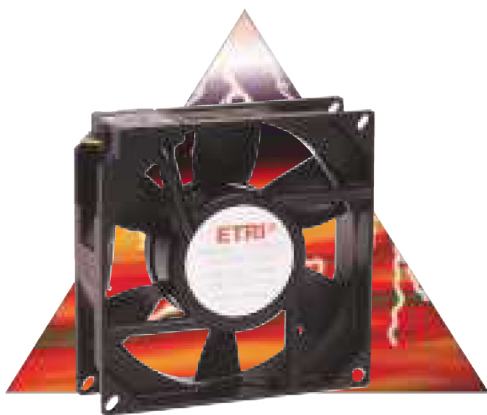


88 x 88 x 25 mm



Approvals

See selection guide pages 15 to 26
GAMT 1 listed

Life expectancy

L-10 LIFE AT 40°C:

35 000 hours

For more details, see page 14

400 Hz Motor

Housing material: Aluminium

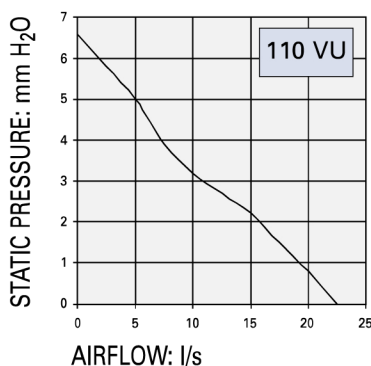
Impeller material: Plastic

Weight: 0,200 kg

Bearing system: ball bearings

Connection : flying leads

Electrical protection: impedance protected



Part number	Nominal voltage	Airflow	Noise level	Nominal speed	Phases	Capacitor	Input power	Nominal current	Starting current	Operating temperature	
	V									I/s	dB(A)
110VU0160001	200	22,5	43	3300	1	0,15	14	75	80	- 10	70
110VU0162001	115	22,5	43	3300	1	0,47	14	130	140	- 10	70

Additional versions:

Salt spray protected - shock and vibration protected - marine specifications - wide temperature range

400 Hz
Axial Fans

Non contractual document. Specifications are subject to change without notice. Pictures for information only. Edition N°1.