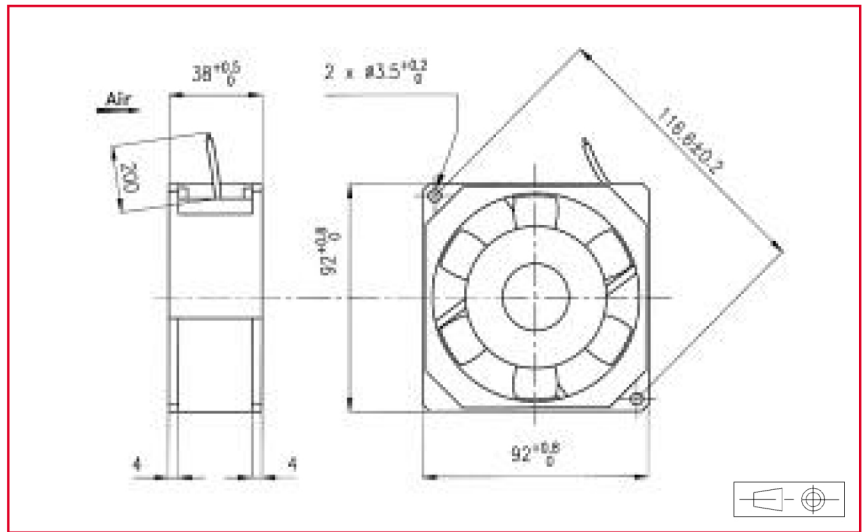
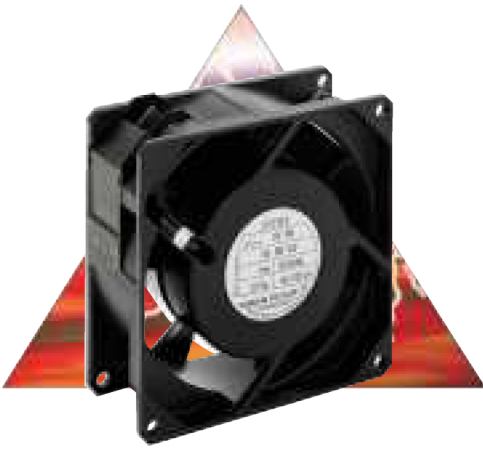


# 92 x 92 x 38 mm



### Approvals

See selection guide pages 15 to 26  
GAMT 1 listed

### Life expectancy

L-10 LIFE AT 40°C:

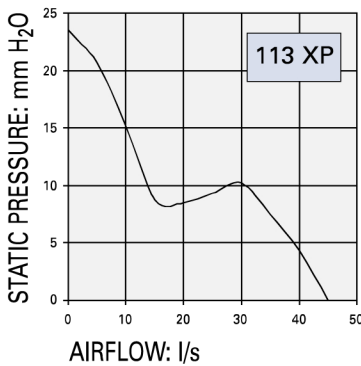
**35 000 hours**

For more details, see page 14

### 400 Hz Motor

Housing material: Aluminium  
Impeller material: Plastic UL 94 V0  
Weight: 0,480 kg  
Bearing system: ball bearing

Connection: flying leads



Non contractual document. Specifications are subject to change without notice. Pictures for information only. Edition N°1.

Part number	Nominal voltage	Airflow	Noise level	Nominal speed	Phases	Capacitor	Input power	Nominal current	Starting current	Operating temperature	
	V	l/s	dB(A)	RPM				mA	mA	Min. °C	Max. °C
113XP0160001	200	45	58	5500	3	0,22	19	105	250	- 10	70
	200	45	58	5500	1			110	200	- 10	70
113XP0162001	115	45	58	5500	3	0,69	19	180	435	- 10	70
	115	45	58	5500	1			200	350	- 10	70

### Additional versions:

Salt spray protected - shock and vibration protected - marine specifications - wide temperature range

### Accessories:

See pages: 148, 150, 151, 153, 161 and 162