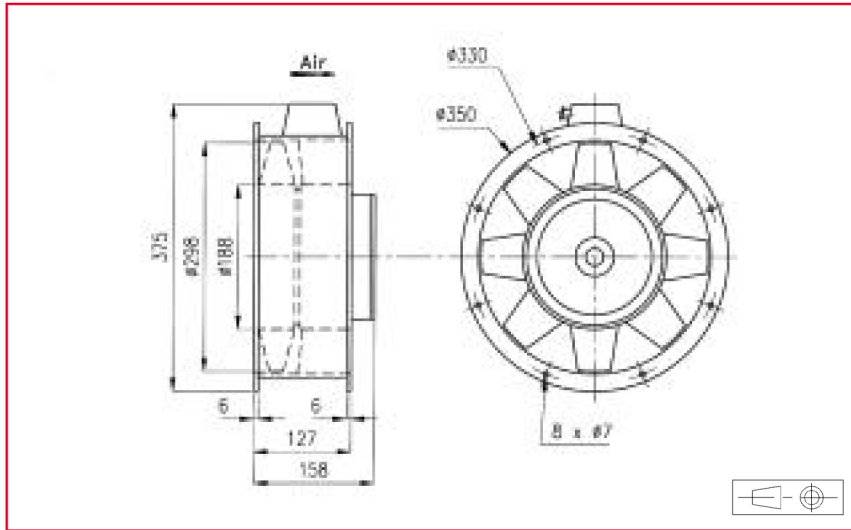


ø 350 x 158 mm



Approvals

See selection guide pages 15 to 26
GAMT 1 listed

Life expectancy

L-10 LIFE AT 40°C:
25 000 hours
For more details, see page 14

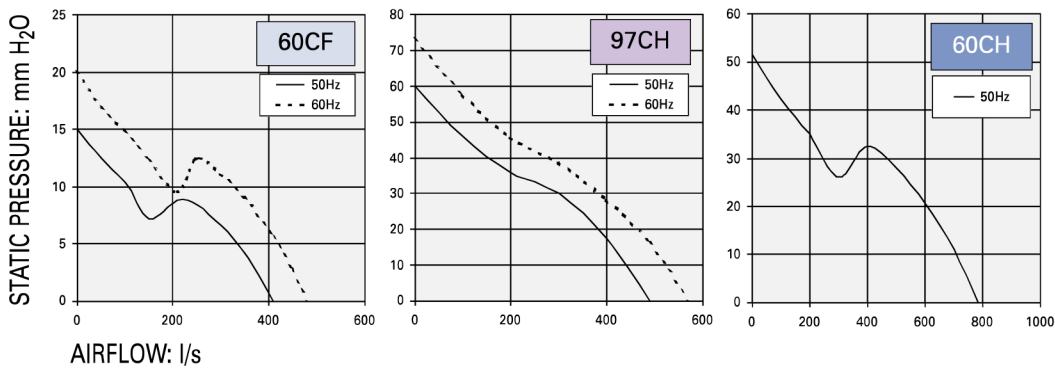
AC Motor

Housing material: Aluminium
Impeller material: Aluminium
Weight: 10,5 kg
Bearing system: ball bearings

Series 60: 11 blades
Series 97: 8 blades

Available with:
- safety switch

High Performance



Part number	Nominal voltage	Airflow	Noise level	Nominal speed	Frequency	Phases	Capacitor	Input power	Nominal current	Starting current	Bearing system	Connection type	Operating temperature	
	V	l/s	dB(A)	rpm	Hz								Leads	Terminals
60CF016DC13	220	410	61	1450	50	3		64	370	2000		X	-10	70
	380	410	61	1450	50	3		64	210	1150		X	-10	70
	220	480	65	1700	60	3		83	330	1800		X	-10	70
	380	480	65	1700	60	3		83	190	1050		X	-10	70
	220	410	61	1450	50	1	6,9	67	320	1700		X	-10	70
	380	410	61	1450	50	1	2,2	67	190	980		X	-10	70
97CH016DC13	220	480	65	1700	60	1	6,9	102	470	1600		X	-10	70
	380	480	65	1700	60	1	2,2	102	270	930		X	-10	70
	220	490	73	2850	50	3		136	490	3300		X	-10	70
	380	490	73	2850	50	3		136	280	1900		X	-10	70
60CH016DC13	220	570	76	3300	60	3		198	600	2800		X	-10	70
	380	570	76	3300	60	3		198	350	1500		X	-10	70
	220	780	79	2700	50	3		406	1500	6300		X	-10	70
	380	780	79	2700	50	3		406	870	3600		X	-10	70
60CH016DC13	220	775	79	2700	50	1	20	400	1900	5000		X	-10	70
	380	775	79	2700	50	1	6,9	400	1100	3000		X	-10	70

Additional versions:

Salt spray protected - shock and vibration protected - marine specifications - wide temperature range

Accessories:

See pages: 154, 156, 158 and 162