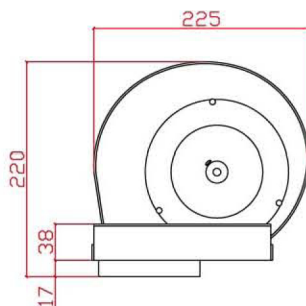
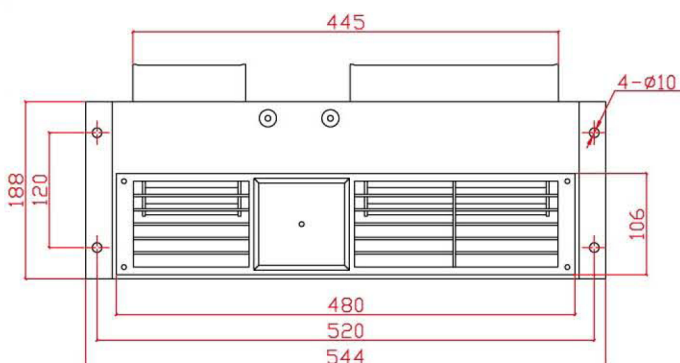


ZFB-13A ZFB-13B CENTRIFUGAL FAN



Size: 544mm×225mm×220mm

Motor: Capacitor induction

Bearing: Ball

Impeller: Reinforced Plastic,
 \varnothing 130mm×184mm, \varnothing 130mm×93mm

Frame: Steel with plastic-coated

Weight: 5.7kg

Life: 30000hours

Operation Temperature: -20°C~+50°C

Model	Voltage VAC	Freq. Hz	Current A	Power W	Speed RPM	Air flow m ³ /hr	Noise dB
ZFB-13A	100	50/60	0.25/0.33	24/32	790/820	450/460	≤44
ZFB-13B	220		0.25/0.33	28/37	860/960	480/540	≤44

