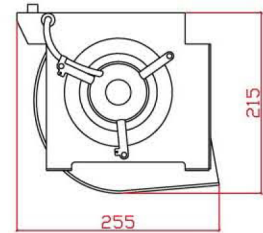
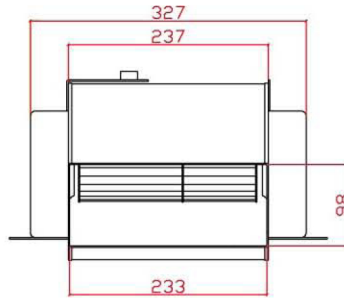


GF-Q235 CENTRIFUGAL FAN



Size: 380mm×255mm×215mm

Motor: Capacitor induction

Bearing: Ball

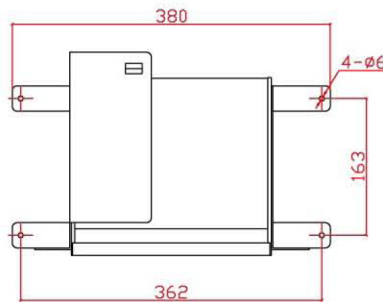
Impeller: Metal, \varnothing 130mm×190mm

Frame: Steel with electroplate

Weight: 5.2kg

Life: 20000hours

Operation Temperature: -20°C~+50°C



Model	Voltage VAC	Freq. Hz	Current A	Power W	Speed RPM	Air flow m ³ /hr	Noise dB
GF-Q235	220	50/60	0.83/0.95	170/195	1150/1050	750/700	≤62

