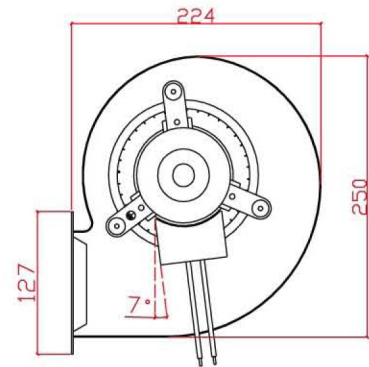
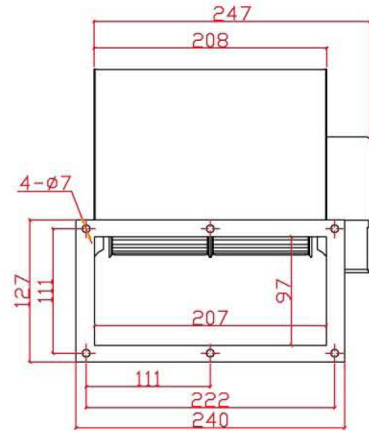


GF-Q235B CENTRIFUGAL FAN



Size: 263mm×224mm×250mm

Motor: Capacitor induction

Bearing: Ball

Impeller: Metal, \varnothing 130mm×176mm

Frame: Steel with plastic-coated

Weight: 4.3kg

Life: 30000hours

Operation Temperature: -20°C~+50°C

| Model | Voltage VAC | Freq. Hz | Current A | Power W | Speed RPM | Air flow m ³ /hr | Noise dB |
|----------|-------------|----------|-----------|---------|-----------|-----------------------------|----------|
| GF-Q235B | 115 | 50/60 | 1.07/1.03 | 92/110 | 1365/1575 | 660/760 | ≤59 |
| | 220 | | 0.32/0.36 | 71/80 | 1225/1400 | 560/640 | ≤52 |

