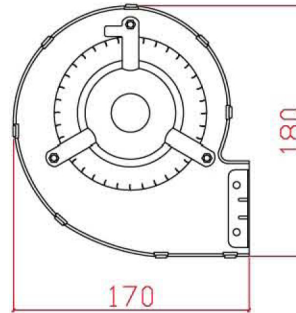
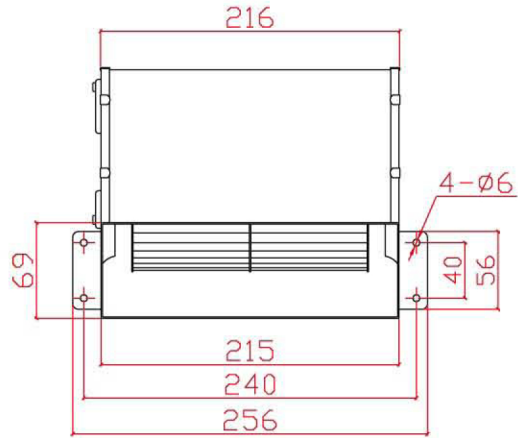


GF-Q235C CENTRIFUGAL FAN



Size: 256mm×170mm×180mm

Motor: Capacitor induction

Bearing: Ball

Impeller: Metal, Ø 130mm×190mm

Frame: Steel with electroplate

Weight: 4.1kg

Life: 20000hours

Operation Temperature: -20°C~+50°C

Model	Voltage VAC	Freq. Hz	Speed Level	Current A	Power W	Speed RPM	Air flow m ³ /hr	Noise dB
GF-Q235C	220	50/60	High	0.81/0.89	178/196	1720/1530	585/540	≤58
			Middle	0.67/0.73	140/147	1430/1320	510/460	≤52
			Low	0.54/0.59	108/109	1050/970	360/320	≤44

