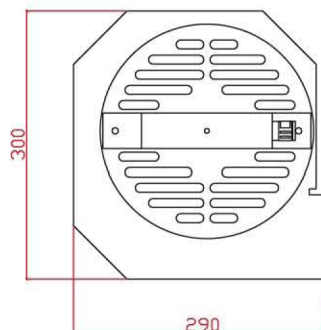
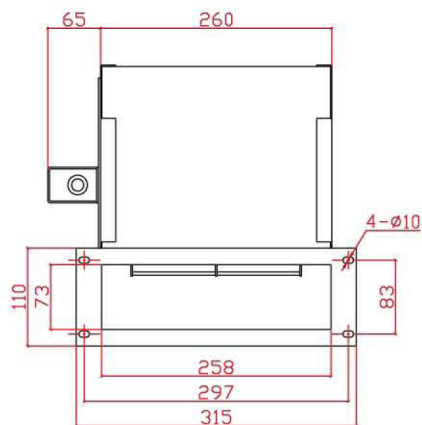


GF-DV200 CENTRIFUGAL FAN



Size: 352mm×290mm×300mm

Motor: Capacitor induction

Bearing: Ball

Impeller: Metal, \varnothing 200mm×185mm

Frame: Steel with plastic-coated

Weight: 10.5kg

Life: 30000hours

Operation Temperature: -20°C ~ +50°C

Model	Voltage VAC	Freq. Hz	Current A	Power W	Speed RPM	Air flow m ³ /hr	Noise dB
GF-DV200	Three-phase 380	50	0.50	230	1320	1080	≤65

