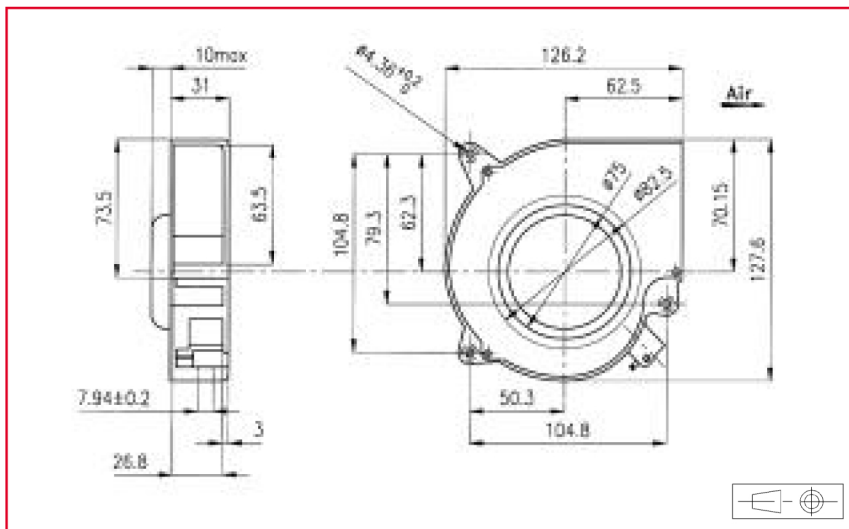
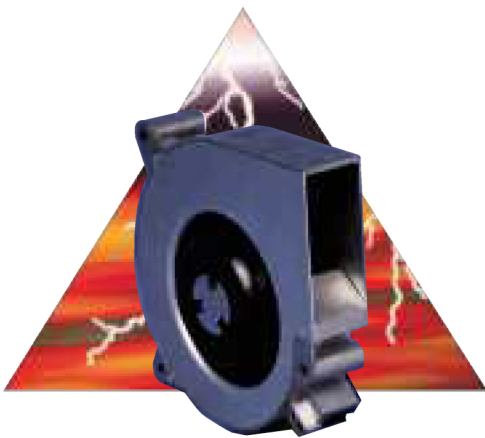


126 x 127 x 39 mm



Approvals

See selection guide pages 15 to 26

Life expectancy

L-10 LIFE AT 40°C:

25 000 hours

For more details, see page 14

AC Motor

Electrical protection: impedance protected

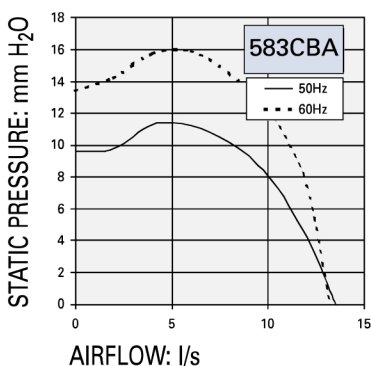
Housing material: Zamak

Impeller material: Plastic UL 94 VO

Weight: 0,8 kg

Available with:

- flying leads connection



Non contractual document. Specifications are subject to change without notice. Pictures for information only. Edition N°1.

Part number	Nominal voltage	Airflow	Noise level	Nominal speed	Frequency	Phases	Capacitor	Input power	Nominal current	Starting current	Bearing system		Connection type		Operating temperature	
	V										l/s	dB(A)	rpm	Hz	µF	W
583CBA2091000	220	13,5	49	2550	50	1		21	140	210		X		X	- 10	55
		13,2	51	2500	60	1		20	130	185		X		X	- 10	55
583CBA2092000	115	13,5	49	2550	50	1		21	270	400		X		X	- 10	55
		13,2	51	2500	60	1		20	250	350		X		X	- 10	55

Additional versions:

Salt spray protected - shock and vibration protected

AC Centrifugal Blowers