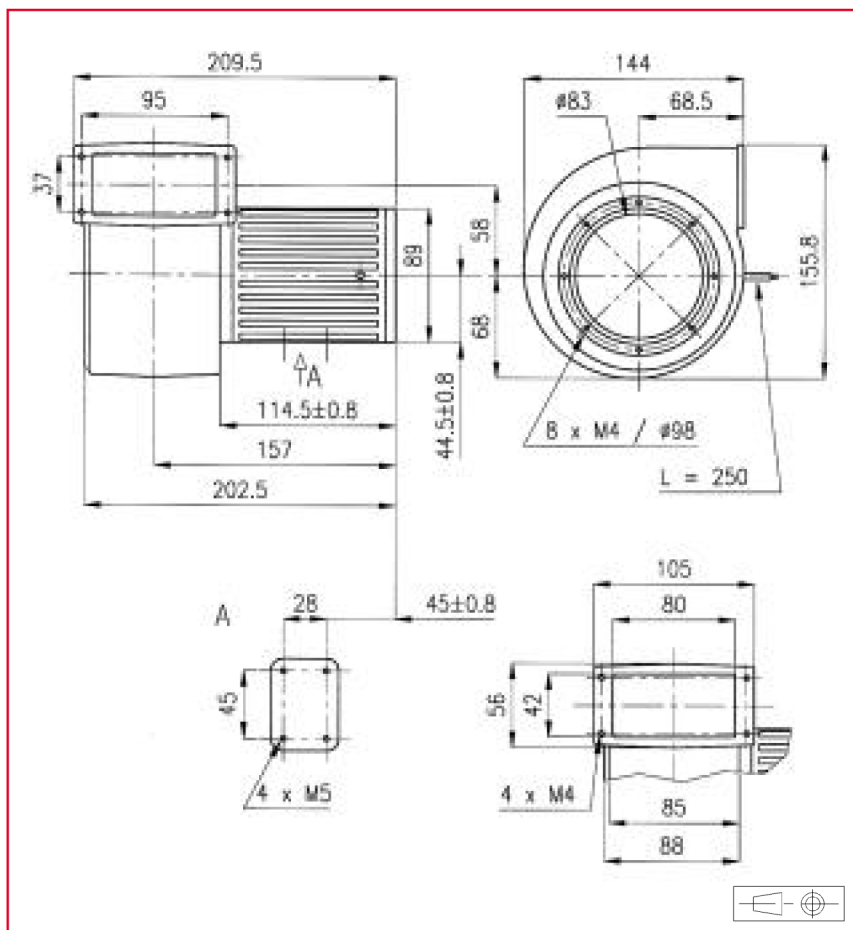


144 x 156 x 209 mm



Approvals

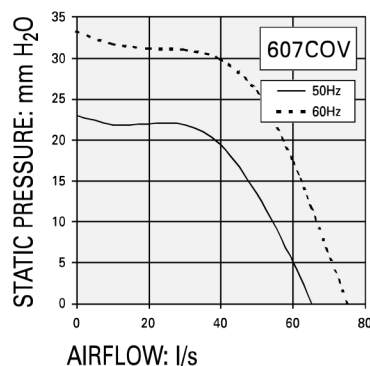
See selection guide pages 15 to 26
GAMT 1 listed

Life expectancy

L-10 LIFE AT 40°C:

25 000 hours

For more details, see page 14



AC Motor

Housing material: Aluminium
Wheel material: Steel plate
Weight: 3,75 kg
Bearing system: ball bearings

Connection: flying leads

Available with:

- safety switch (see picture)

Part number	Nominal voltage	Airflow	Noise level	Nominal speed	Frequency	Phases	Capacitor	Input power	Nominal current	Starting current	Operating temperature	
	V	l/s	dB(A)	rpm	Hz		μF	W	mA	mA	°C	°C
607COV016DC13	220	65	63	2900	50	3		50	245	1250	- 10	70
	380	65	63	2900	50	3		50	145	750	- 10	70
	220	72	66	3300	60	3		72	250	1150	- 10	70
	380	72	66	3300	60	3		72	145	700	- 10	70
	220	65	63	2900	50	1	4,7	54	250	1100	- 10	70
	380	65	63	2900	50	1	1,47	54	145	650	- 10	70
	220	72	66	3300	60	1	4,7	83	370	1000	- 10	70
	380	72	66	3300	60	1	1,47	83	215	600	- 10	70

Additional versions:

Salt spray protected - shock and vibration protected - marine specifications - wide temperature range

Accessories:

See pages: 157, 159 and 162