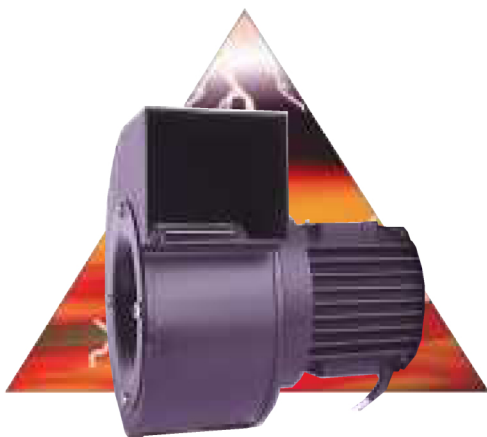


200 x 222 x 225 mm



Approvals

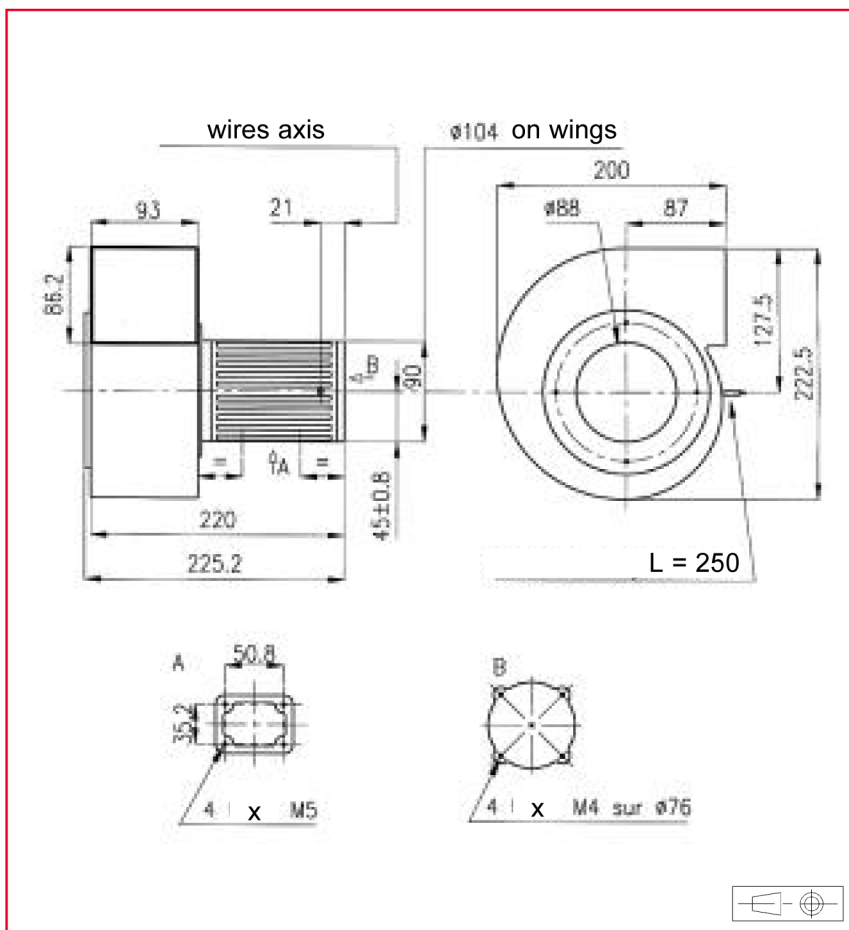
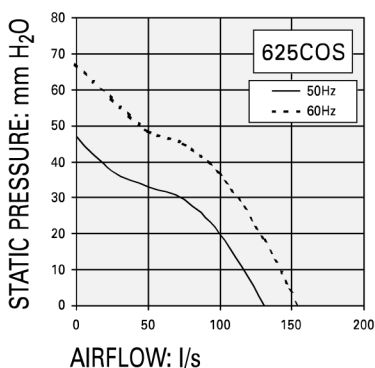
See selection guide pages 15 to 26
GAMT 1 listed

Life expectancy

L-10 LIFE AT 40°C:

25 000 hours

For more details, see page 14



AC Motor

Housing material: Steel plate
Wheel material: Steel plate
Weight: 4,9 kg
Bearing system: ball bearings

Connection: flying leads

Available with:

- safety switch

Part number	Nominal voltage	Airflow	Noise level	Nominal speed	Frequency	Phases	Capacitor	Input power	Nominal current	Starting current	Operating temperature	
	V	l/s	dB(A)	rpm	Hz		μ F	W	mA	mA	°C	°C
625COS016DC13	220	130	65	2850	50	3		156	560	2100	- 10	70
	380	130	65	2850	50	3		155	520	2500	- 10	70
	220	155	68	3300	60	3		223	610	2000	- 10	70
	380	155	68	3300	60	3		210	460	2150	- 10	70
	220	130	65	2850	50	1	6,9	156	1000	3600	- 10	70
	380	130	65	2850	50	1	2,2	155	900	4250	- 10	70
	220	155	68	3300	60	1	6,9	223	1100	3450	- 10	70
	380	155	68	3300	60	1	2,2	210	800	3700	- 10	70

Additional versions:

Salt spray protected - shock and vibration protected - marine specifications - wide temperature range

Accessories:

See pages: 157, 159 and 162

Non contractual document. Specifications are subject to change without notice. Pictures for information only. Edition N°1.

AC Centrifugal Blowers