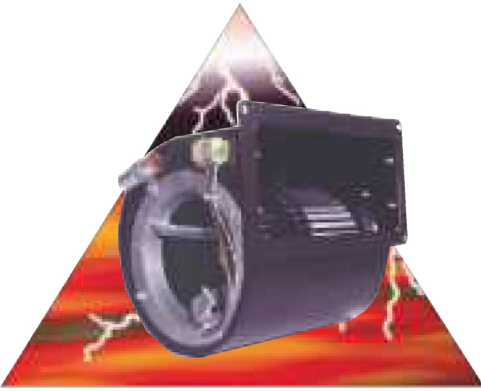


205 x 218 x 270 mm



Approvals

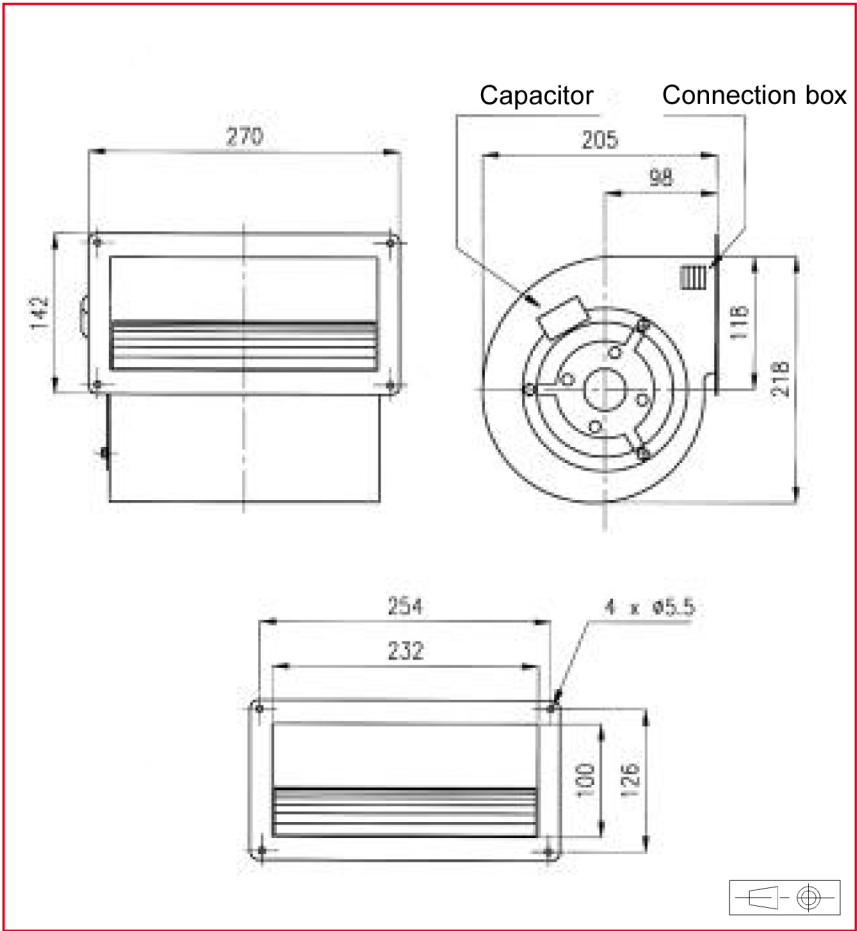
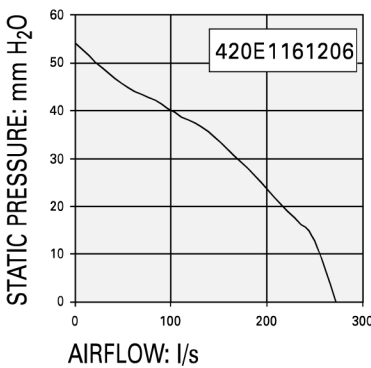
See selection guide pages 15 to 26

Life expectancy

L-10 LIFE AT 40°C:

25 000 hours

For more details, see page 14



AC Motor

Housing material: Metal
 Wheel material: Steel plate
 Weight: 4,2 kg
 Bearing system: ball bearings

Connection: terminals
 Electrical protection: thermally protected

Part number	Nominal voltage	Airflow	Noise level	Nominal speed	Frequency	Phases	Capacitor	Input power	Nominal current	Starting current	Operating temperature
	V	l/s	dB(A)	rpm	Hz		µF	W	mA	mA	°C °C
420E1161206	230	237,5	60	1700	50	1	6	250	1100	1400	- 20 °C 50 °C

Non contractual document. Specifications are subject to change without notice. Pictures for information only. Edition N°1.

AC Centrifugal Blowers