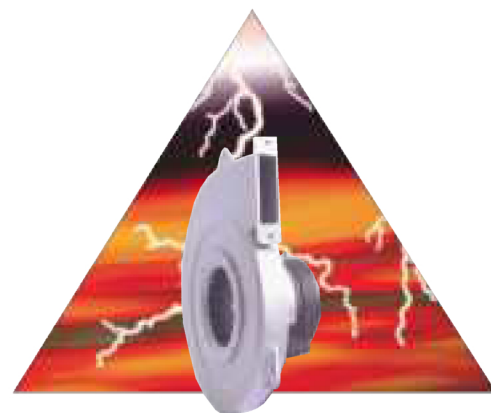
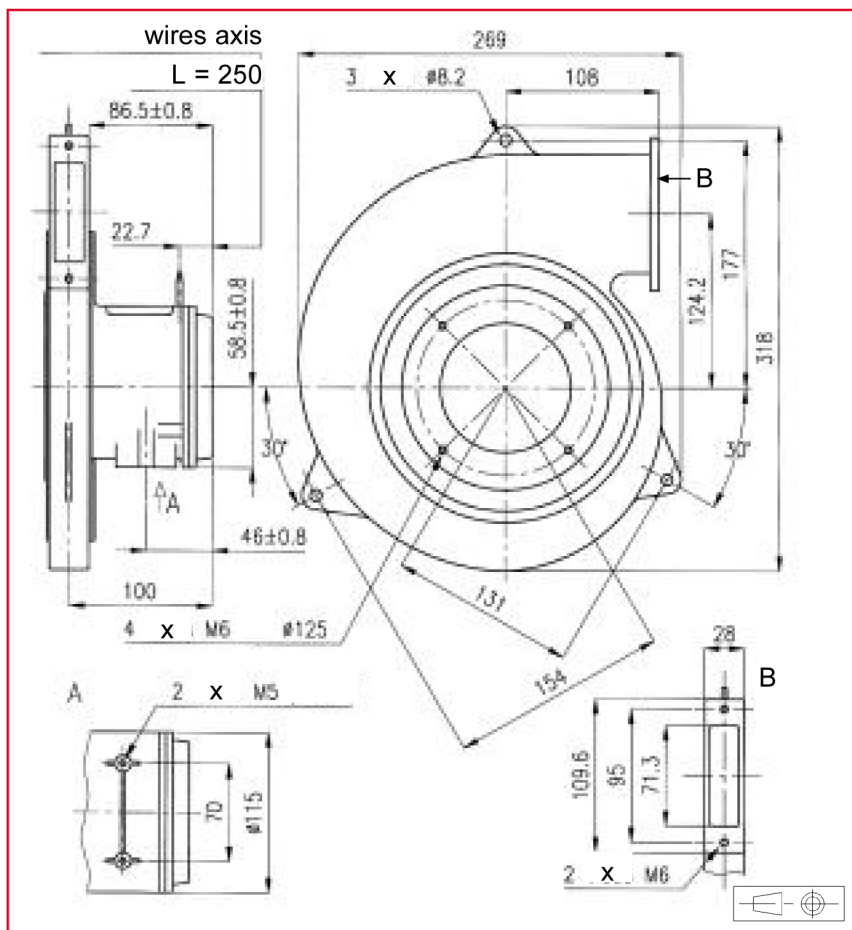


# 269 x 318 x 118 mm



## Approvals

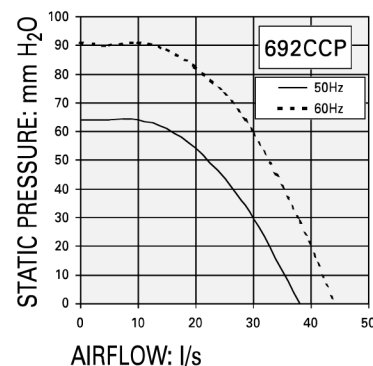
See selection guide pages 15 to 26  
GAMT 1 listed

## Life expectancy

L-10 LIFE AT 40°C:

**25 000 hours**

For more details, see page 14



## AC Motor

Housing material: Aluminium

Wheel material: Plastic

Weight: 4,75 kg

Bearing system: ball bearings

Connection : flying leads

## Available with:

- safety switch

Part number	Nominal voltage	Airflow	Noise level	Nominal speed	Frequency	Phases	Capacitor	Input power	Nominal current	Starting current	Operating temperature	
	V	l/s	dB(A)	rpm	Hz		µF	W	mA	mA	°C	°C
692CCP016DC13	220	38	68	2850	50	3		67	350	1750	- 10	70
	380	38	68	2850	50	3		67	200	1000	- 10	70
	220	44	73	3350	60	3		88	310	1650	- 10	70
	380	44	73	3350	60	3		88	180	950	- 10	70
	220	38	68	2850	50	1	4,7	65	350	1500	- 10	70
	380	38	68	2850	50	1	1,47	65	200	900	- 10	70
	220	44	73	3350	60	1	4,7	92	420	1400	- 10	70
	380	44	73	3350	60	1	1,47	92	240	800	- 10	70

## Additional versions:

Salt spray protected - shock and vibration protected - marine specifications - wide temperature range

## Accessories:

See pages: 157, 159 and 162