

Motor Type AC CENTRIFUGAL BACKWARD CURVED FAN 190 x 45 16B

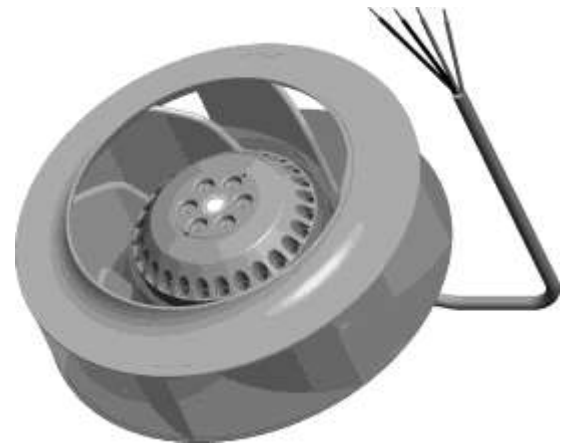
Code: 30.97257

Project code: P4926

Supply			Poles	Speed	Stator	Impeller Type
230 V	50/60 Hz	~ 1	2	1	M15	Centrifugal Backward Curved Blade single inlet

Nominal Data

Nominal voltage	[V]	230
Frequency	[Hz]	50/60
Speed	[Rpm]	2425
Power input	[W]	68
Current draw	[A]	0,29
cos φ	[-]	0,99
Max Efficiency (stat A)	[%]	22,3
Efficiency Grade (N)	[-]	45,1
Capacitor	[uF]	2
	[V]	400

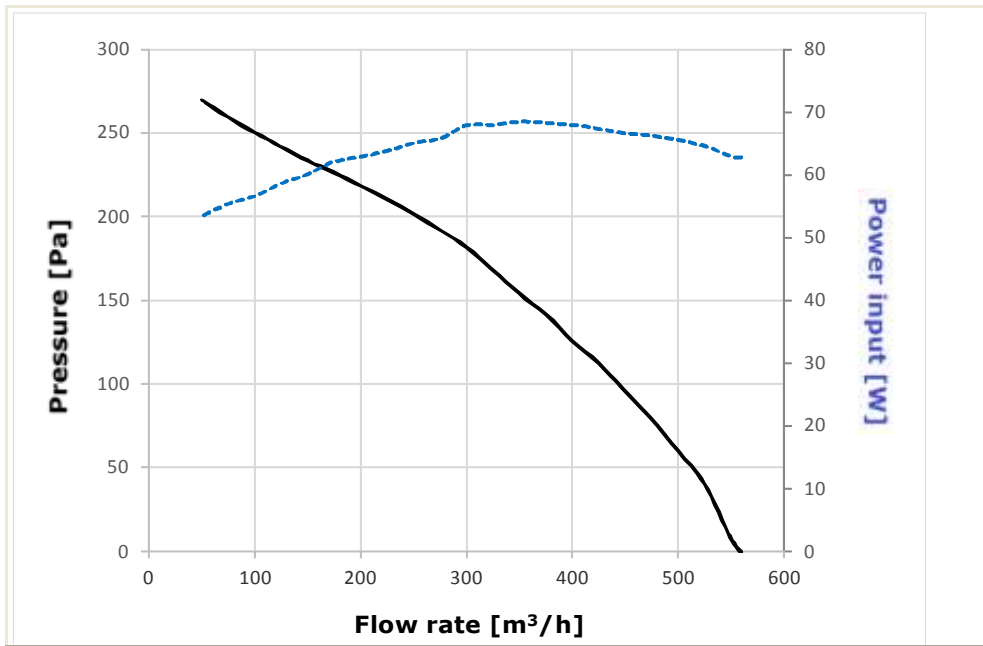


Technical Features

	50 Hz	60 Hz	Temperature Rise		
Max. operating temperature	[°C]	70	70		
	[°F]	158	158		
Min. operating temperature	[°C]	-30			
	[°F]	-22			
Air flow @ 0 Pa	[m³/h]	559			
Thermal protector	Automatic reset				
Insulation class	F				
Motor bearing	Ball bearing				
Protection level	IP33				
Product compliant to	CE; EN 60335-1				
Approval	CSA on request				
	VDE on request				
Rotation (seen on rotor side)	Clockwise				
Impeller size (Ø x h)	[mm]	190 x 45 16B			
Impeller material	Plastic				
Weight	[kg]	1,33			
Cable length	[mm]	720			
Condensate discharge holes (on rotor side)	NO				
ERP compliant	ERP 2015				
			Test Setup @ 244 V		
			50 Hz	60 Hz	
			Full Flow Inlet Diameter 125mm		
ΔT Main	[K]	41	45		
ΔT Aux	[K]	44	49		
			Working Point		
ΔT Main	[K]	46	54		
ΔT Aux	[K]	48	56		

Air flow performance at 230V 50Hz

P4926



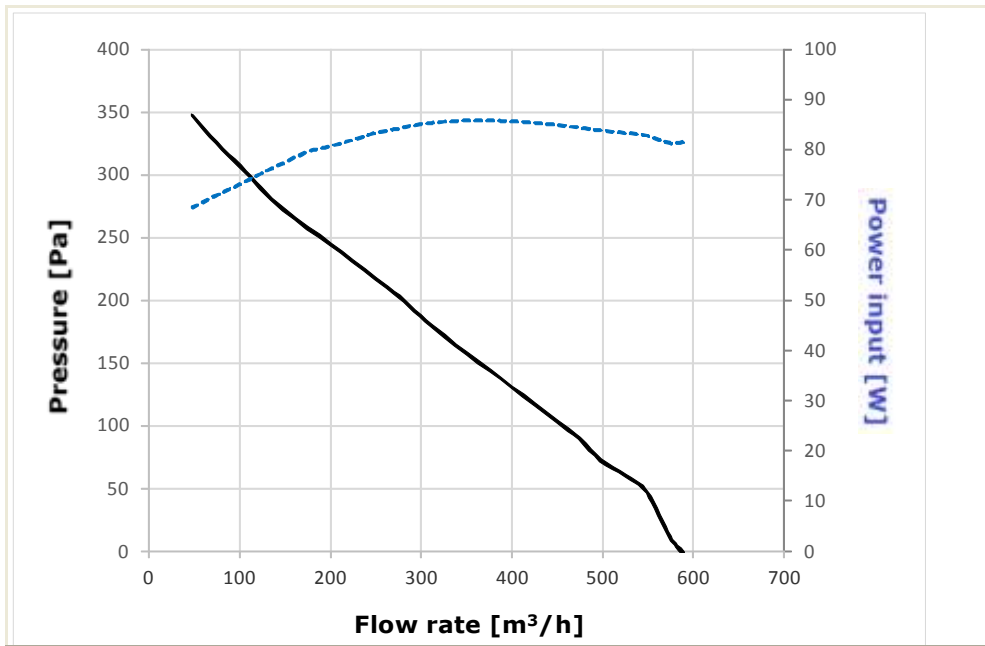
TEST SETUP:

Inlet Z.A. Diameter 125mm

Supply		Speed	Power	Current	Efficiency	Flow rate	Pressure	Flow rate	Pressure
[V]	[Hz]	[rpm]	[W]	[A]	[%]	[m³/h]	[Pa]	[cfm]	[in_H ₂ O]
230	50	2718	53	0,23	7,0	50	269	29	1,080
230	50	2425	68	0,29	22,3	325	168	191	0,674
230	50	2431	67	0,29	19,8	425	113	250	0,454
230	50	2527	63	0,27	0,0	559	0	329	0,000
230	50	0	102	0,44	Locked rotor test				

Air flow performance at 230V 60Hz

P4926

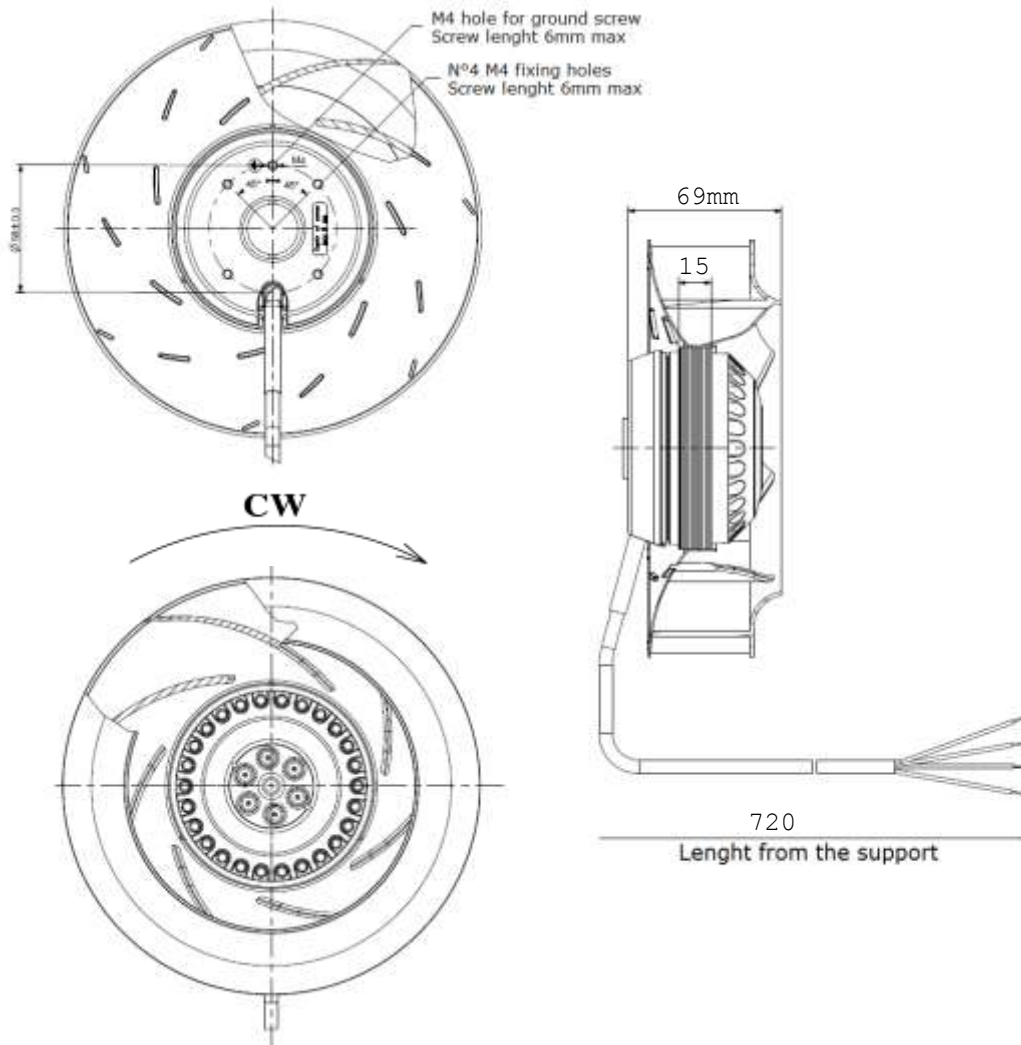


TEST SETUP:
Inlet Z.A. Diameter 125mm

Supply		Speed	Power	Current	Efficiency	Flow rate	Pressure	Flow rate	Pressure
[V]	[Hz]	[rpm]	[W]	[A]	[%]	[m³/h]	[Pa]	[cfm]	[in_H ₂ O]
230	60	3085	68	0,31	7,0	50	347	29	1,393
230	60	2513	84	0,37	18,4	275	203	162	0,815
230	60	2483	85	0,37	15,2	450	103	265	0,414
230	60	2666	82	0,36	0,0	588	0	346	0,000
230	60	0	104	0,45	Locked rotor test				

Overall Dimensions

P4926



Wiring Diagram

