

Motor Type AC CENTRIFUGAL BACKWARD CURVED FAN 250 x 56 7B R69L1

Code: 30.970073

Project code: P12005

Supply			Poles	Speed	Stator	Impeller Type
220-230 V	50/60 Hz	~ 1	2	1	M42	Centrifugal Backward Curved Blade single inlet

Nominal Data

Nominal voltage	[V]	220-230
Frequency	[Hz]	50/60
Speed	[Rpm]	2437
Power input	[W]	210
Current draw	[A]	0,92
cos φ	[-]	0,99
Max Efficiency (stat A)	[%]	35,4
Efficiency Grade (N)	[-]	53,0
Capacitor	[uF]	6
	[V]	400

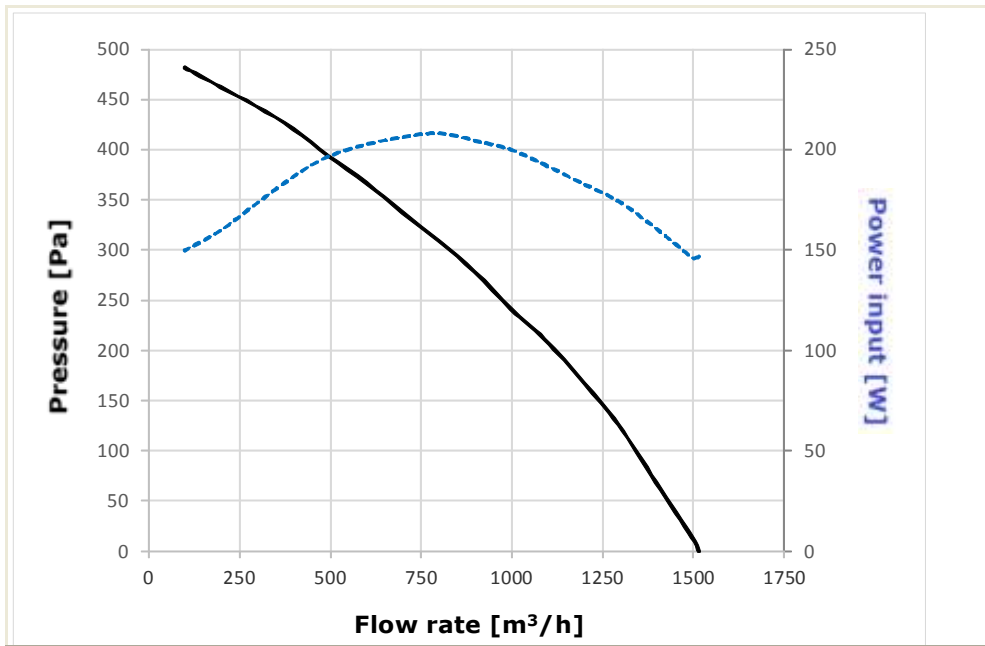


Technical Features

	50 Hz	60 Hz	Temperature Rise					
Max. operating temperature	[°C]	70	55	Test Setup @ 244 V				
	[°F]	158	131	50 Hz	60 Hz			
Min. operating temperature	[°C]	-30		Free Air Inlet Diameter 170mm				
	[°F]	-22		ΔT Main	[K]	59	60	
Air flow @ 0 Pa	[m³/h]	1542		ΔT Aux	[K]	56	59	
Thermal protector	Automatic Reset		Working Point					
Insulation class	F		ΔT Main	[K]	51	80		
Motor bearing	Ball bearing		ΔT Aux	[K]	43	66		
Protection level	IP33							
Product compliant to	EN 60335-1							
Approval	CSA on request							
	VDE on request							
Rotation (seen on rotor side)	Clockwise							
Impeller size (Ø x h)	[mm]	250 x 56 7B R69L1						
Impeller material	Metal							
Weight	[kg]	3						
Cable length	[mm]	450						
Condensate discharge holes (on rotor side)	YES							

Air flow performance at 220V 50Hz

P12005

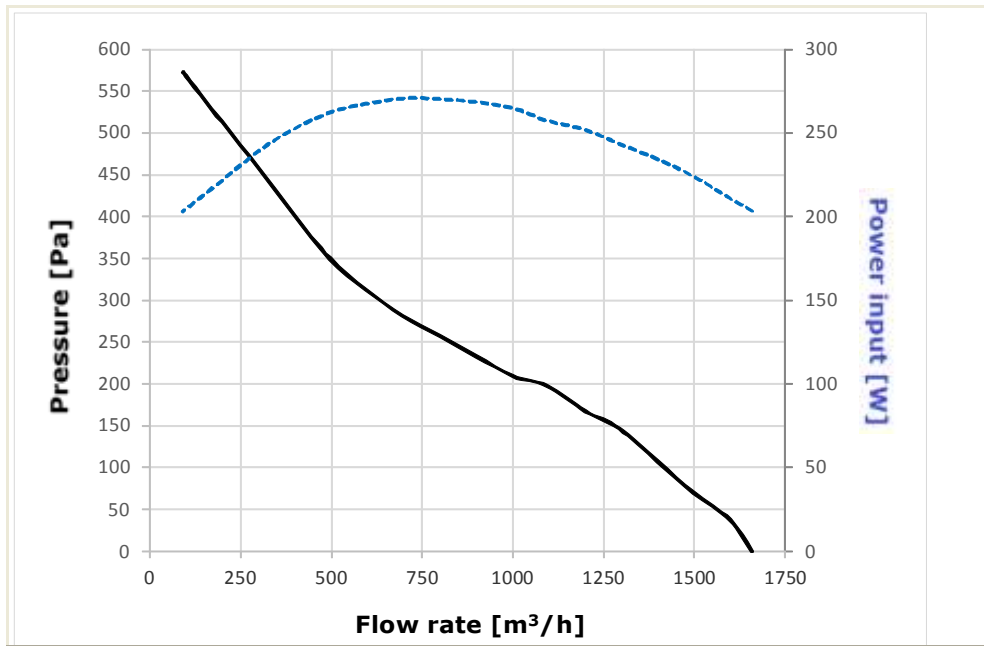


TEST SETUP:
Inlet Diameter 170mm

Supply		Speed	Power	Current	Efficiency	Flow rate	Pressure	Flow rate	Pressure
[V]	[Hz]	[rpm]	[W]	[A]	[%]	[m³/h]	[Pa]	[cfm]	[in_H ₂ O]
220	50	2638	150	0,69	8,8	98	482	58	1,935
220	50	2386	202	0,92	30,4	600	367	353	1,473
220	50	2363	204	0,94	33,9	898	278	529	1,116
220	50	2654	147	0,66	0,0	1515	0	892	0,000
220	50	0	336	1,57		Locked rotor test			

Air flow performance at 220V 60Hz

P12005

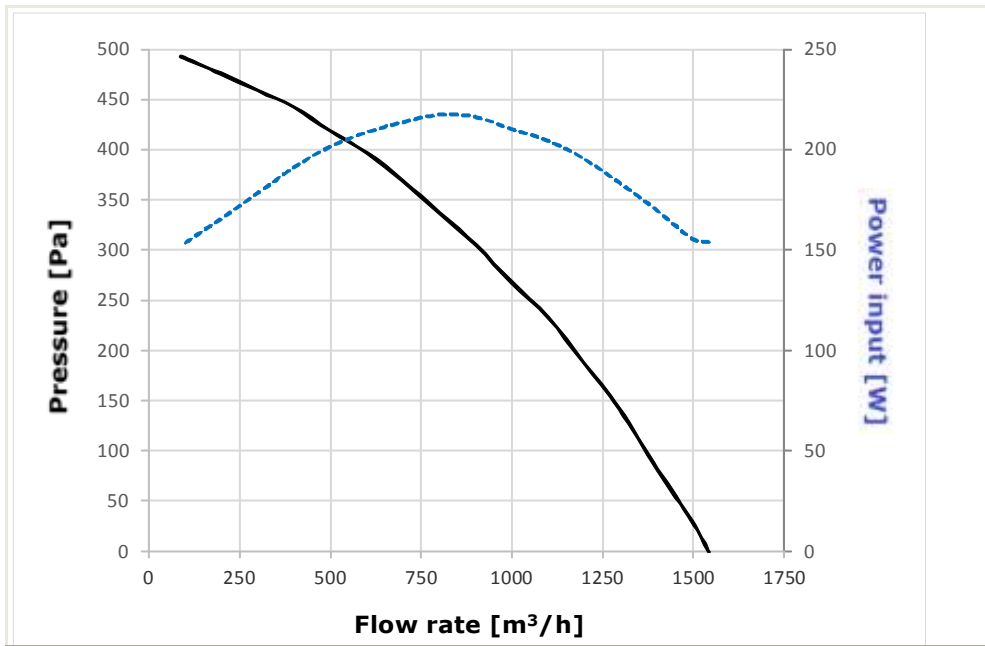


TEST SETUP:
Inlet Diameter 170mm

Supply		Speed	Power	Current	Efficiency	Flow rate	Pressure	Flow rate	Pressure
[V]	[Hz]	[rpm]	[W]	[A]	[%]	[m³/h]	[Pa]	[cfm]	[in_H ₂ O]
220	60	2882	203	0,94	7,1	91	572	54	2,296
220	60	2215	267	1,22	19,3	594	313	350	1,257
220	60	2383	257	1,17	23,4	1094	198	644	0,795
220	60	2890	203	0,94	0,0	1659	0	976	0,000
220	60	0	326	1,50	Locked rotor test				

Air flow performance at 230V 50Hz

P12005

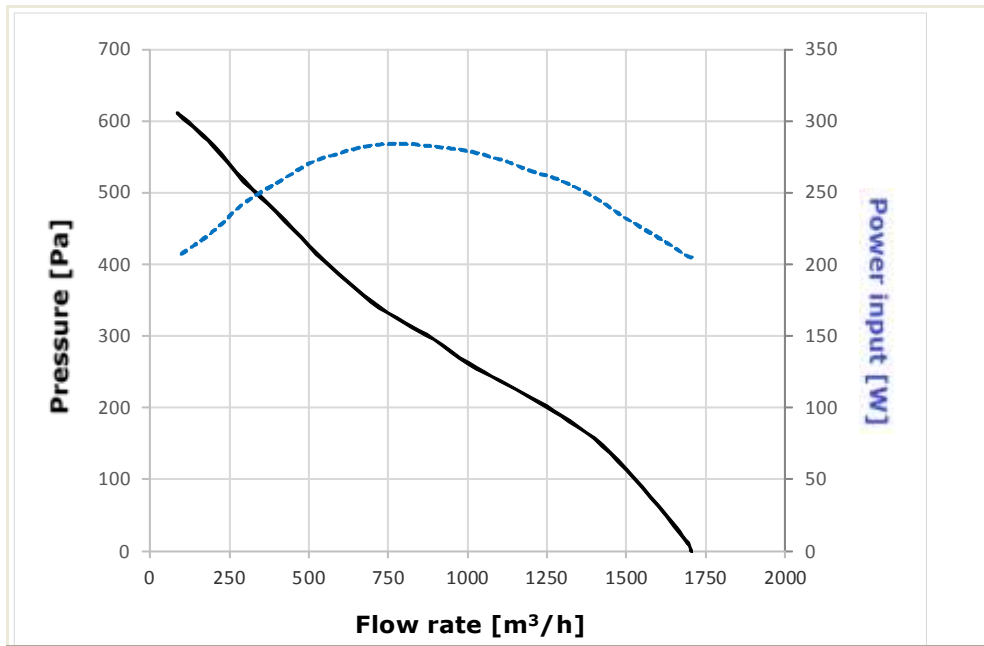


TEST SETUP:
Inlet Diameter 170mm

Supply		Speed	Power	Current	Efficiency	Flow rate	Pressure	Flow rate	Pressure
[V]	[Hz]	[rpm]	[W]	[A]	[%]	[m³/h]	[Pa]	[cfm]	[in_H ₂ O]
230	50	2679	152	0,67	7,9	88	492	52	1,975
230	50	2411	217	0,94	34,6	801	337	471	1,353
230	50	2437	210	0,92	35,4	999	268	588	1,076
230	50	2681	154	0,67	0,0	1542	0	908	0,000
230	50	0	376	1,67	Locked rotor test				

Air flow performance at 230V 60Hz

P12005

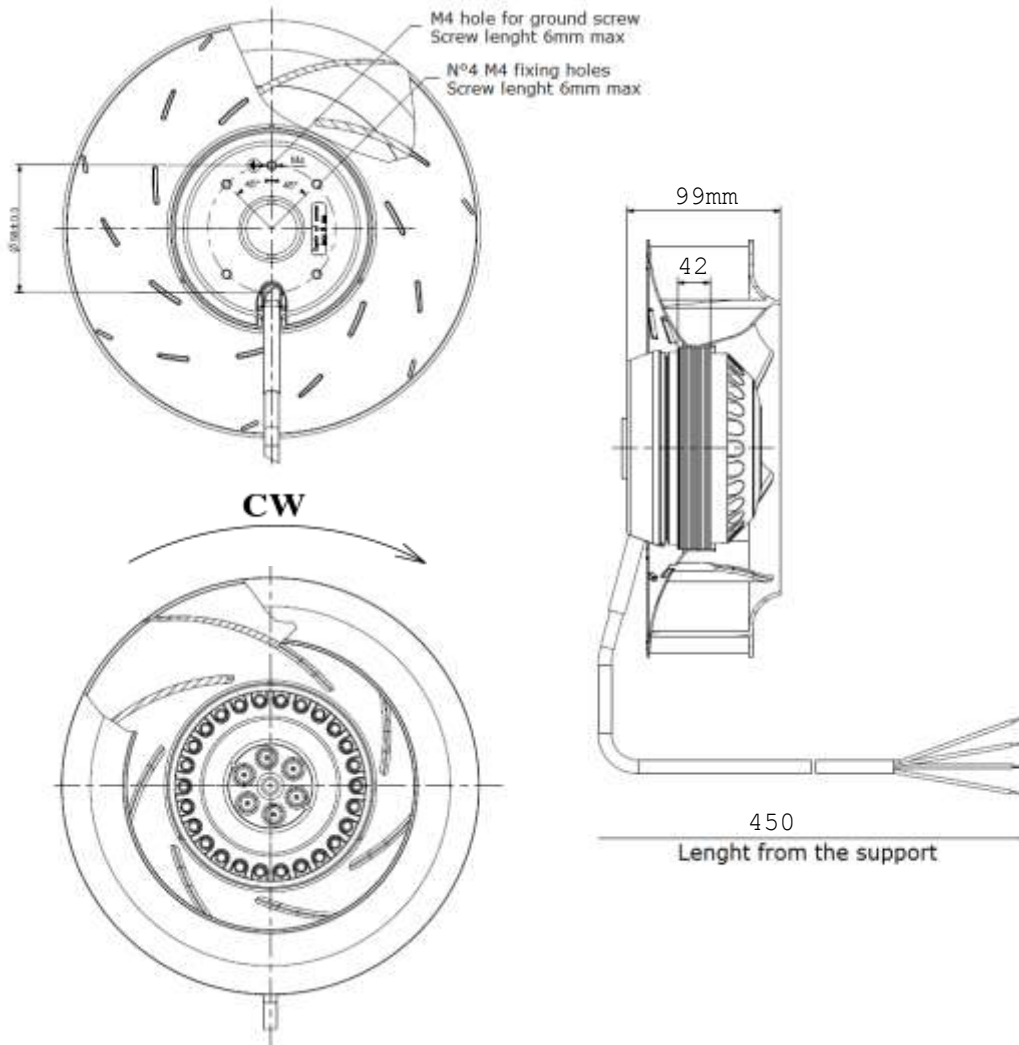


TEST SETUP:
Inlet Diameter 170mm

Supply		Speed	Power	Current	Efficiency	Flow rate	Pressure	Flow rate	Pressure
[V]	[Hz]	[rpm]	[W]	[A]	[%]	[m³/h]	[Pa]	[cfm]	[in_H ₂ O]
230	60	2993	205	0,92	7,1	86	611	51	2,453
230	60	2367	283	1,24	25,0	800	319	471	1,281
230	60	2575	265	1,15	26,9	1201	214	707	0,859
230	60	3011	205	0,91	0,0	1705	0	1004	0,000
230	60	0	367	1,60		Locked rotor test			

Overall Dimensions

P12005



Wiring Diagram

