

Motor Type AC CENTRIFUGAL BACKWARD CURVED FAN 280 x 50 7B R69L1

Code: 30.970043

Project code: P11890

Supply			Poles	Speed	Stator	Impeller Type
230 V	50/60 Hz	~ 1	2	1	M42	Centrifugal Backward Curved Blade single inlet

Nominal Data

Nominal voltage	[V]	230
Frequency	[Hz]	50/60
Speed	[Rpm]	2276
Power input	[W]	271
Current draw	[A]	1,17
cos φ	[-]	0,99
Max Efficiency (stat A)	[%]	33,2
Efficiency Grade (N)	[-]	49,7
Capacitor	[uF]	8
	[V]	400

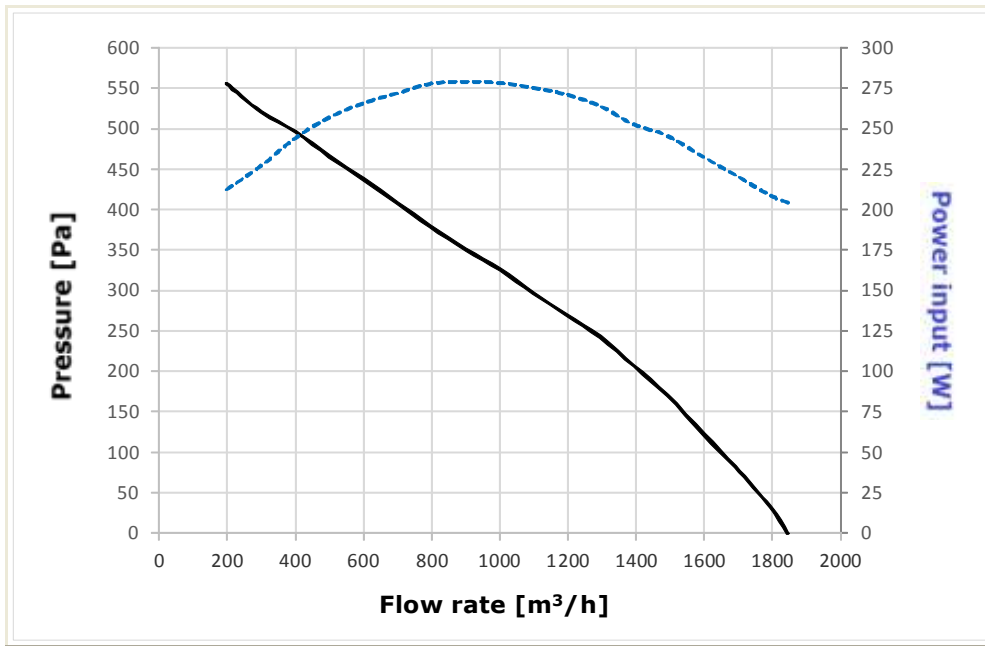


Technical Features

	50 Hz	60 Hz	Temperature Rise		
Max. operating temperature	[°C]	45	45		
	[°F]	113	113		
Min. operating temperature	[°C]	-30			
	[°F]	-22			
Air flow @ 0 Pa	[m³/h]	1843			
Thermal protector	Automatic reset				
Insulation class	F				
Motor bearing	Ball bearing				
Protection level	IP33				
Product compliant to	EN 60335-1				
Approval	CSA on request				
	VDE on request				
Rotation (seen on rotor side)	Clockwise				
Impeller size (Ø x h)	[mm]	280 x 50 7B R69L1			
Impeller material	Metal				
Weight	[kg]	3,2			
Cable length	[mm]	460			
Condensate discharge holes (on rotor side)	YES				
			Test Setup @ 244 V		
			50 Hz	60 Hz	
			Free air inlet d.190 Max.Flow		
ΔT Main	[K]	89	75		
ΔT Aux	[K]	84	80		
			Working Point		
ΔT Main	[K]	72	88		
ΔT Aux	[K]	64	76		

Air flow performance at 230V 50Hz

P11890

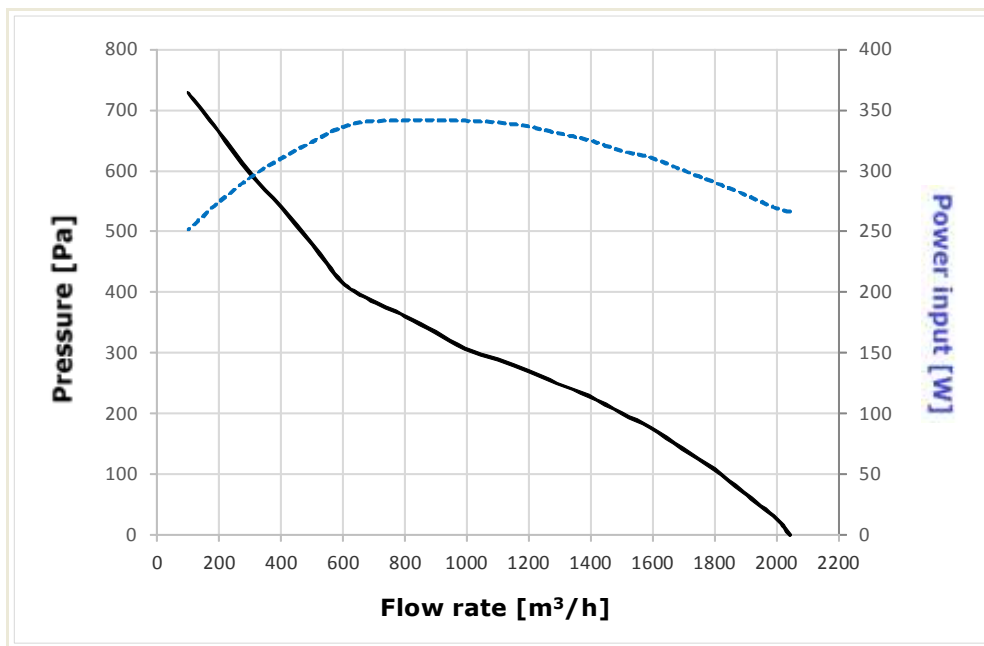


TEST SETUP:
Free Air Inlet D 190mm

Supply		Speed [rpm]	Power [W]	Current [A]	Efficiency [%]	Flow rate [m³/h]	Pressure [Pa]	Flow rate [cfm]	Pressure [in_H ₂ O]
[V]	[Hz]								
230	50	2461	227	0,99	13,6	200	556	118	2,232
230	50	2215	279	1,21	31,5	900	351	530	1,409
230	50	2276	271	1,17	33,2	1200	270	706	1,084
230	50	2580	204	0,88	0,0	1843	0	1085	0,000
230	50	0	424	1,86	Locked rotor test				

Air flow performance at 230V 60Hz

P11890

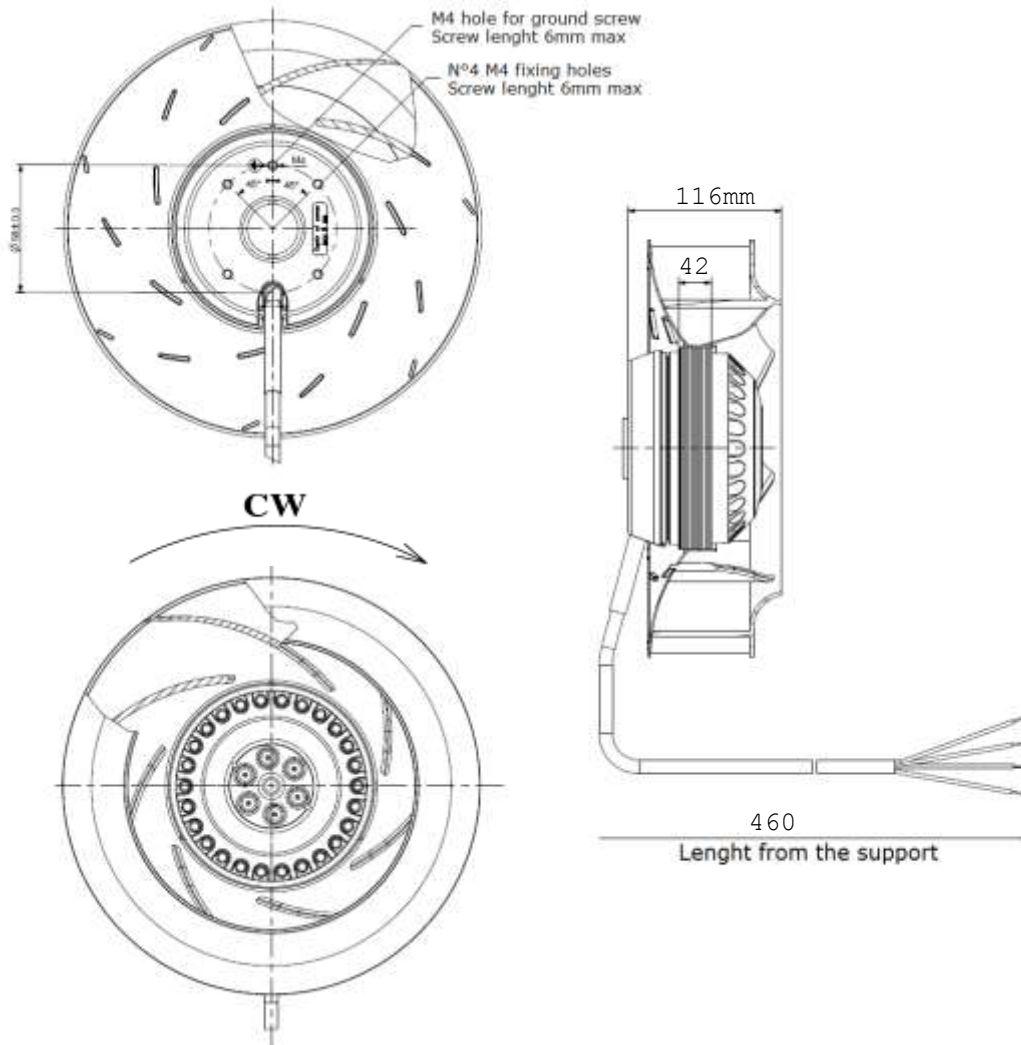


TEST SETUP:
Free Air Inlet D 190mm

Supply		Speed	Power	Current	Efficiency	Flow rate	Pressure	Flow rate	Pressure
[V]	[Hz]	[rpm]	[W]	[A]	[%]	[m³/h]	[Pa]	[cfm]	[in_H ₂ O]
230	60	2792	274	1,22	13,5	200	665	118	2,670
230	60	2182	342	1,49	24,4	900	334	530	1,341
230	60	2378	325	1,42	27,4	1400	229	824	0,919
230	60	2857	266	1,19	0,0	2041	0	1201	0,000
230	60	0	415	1,81	Locked rotor test				

Overall Dimensions

P11890



Wiring Diagram

