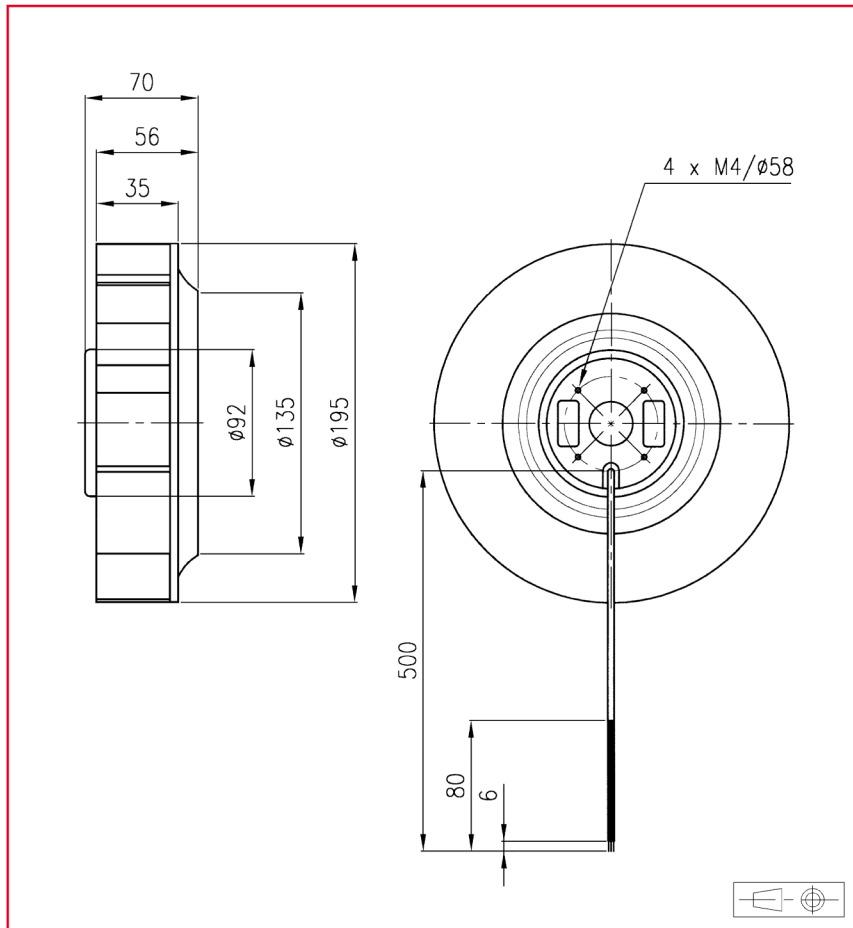


∅ 195 x 70 mm



Approvals

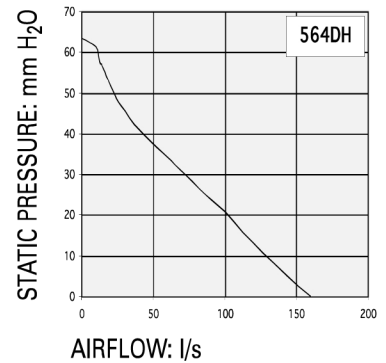
See selection guide pages 15 to 26

Life expectancy

L-10 LIFE AT 40°C:

80 000 hours

For more details, see page 14



Brushless DC Motor

Wheel material: plastic UL 94 VO

Bearing system: ball bearings

Connection: flying leads

Electrical protection: thermally protected

Design code: C13 - Tropicalized

IP 44

Speed sensor (TTL or open collector)

Variable speed (0 - 10 V input / PWM)

| Part number | Nominal voltage | Airflow | Noise level | Nominal speed | Input power | Voltage range | Bearing system | | Connection type | | Operating temperature | |
|---------------|-----------------|---------|-------------|---------------|-------------|---------------|----------------|-------|-----------------|---|-----------------------|------|
| | V | | | | | | I/s | dB(A) | RPM | W | V | Ball |
| 564DH4LM19000 | 48 | 160,0 | 67 | 3400 | 83,0 | (36-60) | x | | x | | - 20 | 70 |
| | | | | | | | | | | | | |
| | | | | | | | | | | | | |
| | | | | | | | | | | | | |
| | | | | | | | | | | | | |
| | | | | | | | | | | | | |
| | | | | | | | | | | | | |
| | | | | | | | | | | | | |
| | | | | | | | | | | | | |
| | | | | | | | | | | | | |
| | | | | | | | | | | | | |
| | | | | | | | | | | | | |
| | | | | | | | | | | | | |
| | | | | | | | | | | | | |
| | | | | | | | | | | | | |
| | | | | | | | | | | | | |
| | | | | | | | | | | | | |
| | | | | | | | | | | | | |

Additional versions:

Salt spray protection - IP 54 - alarm as options

Other voltages: consult factory

Non contractual document. Specifications are subject to change without notice. Pictures for information only. Edition N°1.