

GF-90-660 CROSS FLOW FAN



宁波盛大风机有限公司
NINGBO GRAND FANS CO., LTD.



Size: 665mm×152mm×131mm

Motor: Capacitor induction

Bearing: Ball

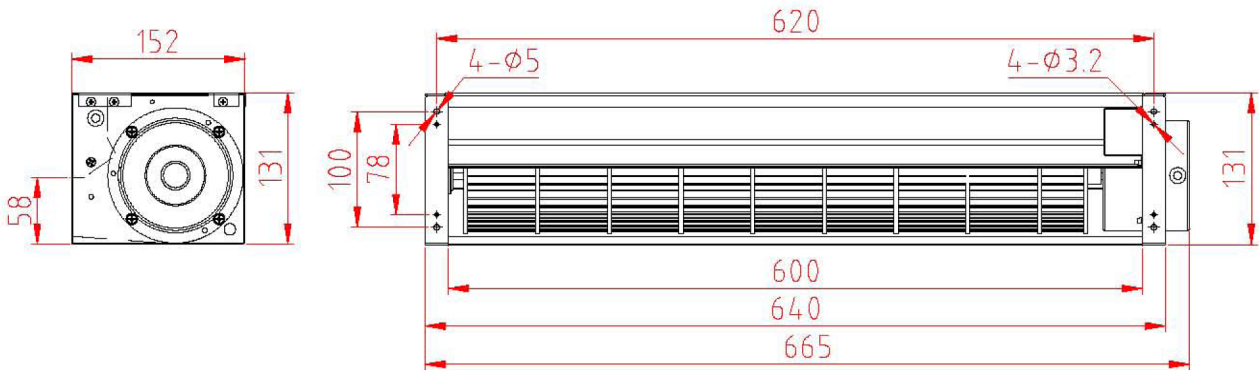
Impeller: Reinforced Plastic, $\Phi 91\text{mm} \times 545\text{mm}$

Frame: Steel with plastic-coated

Weight: 4.4kg

Life: 30000hours

Operation Temperature: $-20 \sim 60^{\circ}\text{C}$



Modle	Voltage VAC	Freq. Hz	Speed grade	Current A	Power W	Speed RPM	Airflow m ³ /hr	Noise dB
GF-90-660	220	50/60	High	0.16	35	1200	350	44
	220	50/60	Middle	0.12	25	800	230	35
	220	50/60	Low	0.11	22	600	150	30