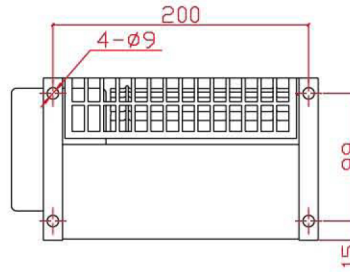
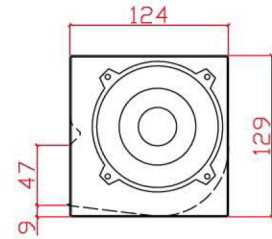
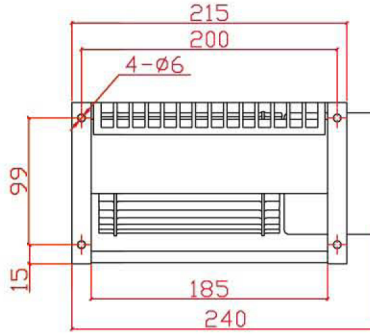


GF-240-95 CROSS FLOW FAN



Size: 233mm×124mm×129mm

Motor: Capacitor induction

Bearing: Ball

Impeller: Aluminum, $\varnothing 95\text{mm} \times 155\text{mm}$

Frame: Steel with plastic-coated

Weight: 3.0kg

Life: 30000hours

Operation Temperature: $-20^{\circ}\text{C} \sim +70^{\circ}\text{C}$

Model	Voltage VAC	Freq. Hz	Current A	Power W	Speed RPM	Air flow m^3/hr	Noise dB
GF-240-95	220	50/60	0.26/0.36	58/78	2650/2820	300/315	≤ 65

