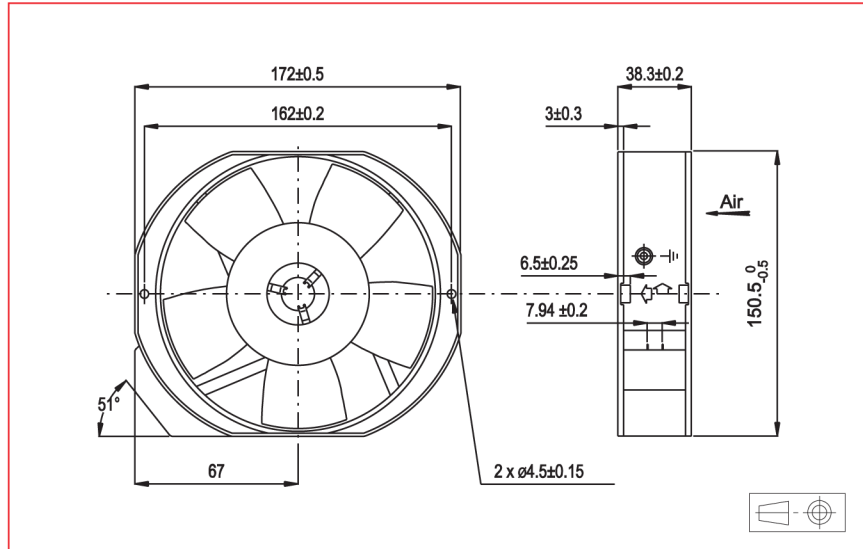


AC Axial Fans



Approvals



Life expectancy

L-10 LIFE AT 40°C:
80 000 hours

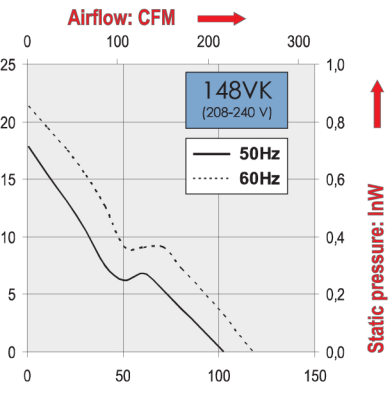
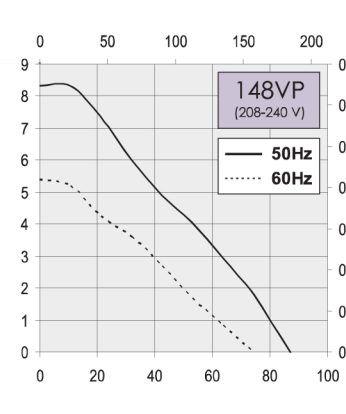
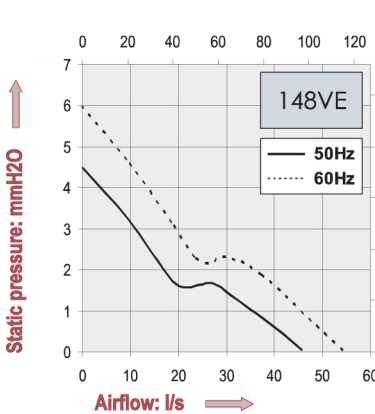
AC Motor

Electrical protection:
VE-VP models: impedance protected
VK model: thermally protected
Housing material: zamak
Impeller material: plastic UL 94 V0
Maximum weight: 1,1 kg
Bearing system: ball bearings

Connection: terminals
Single phase
IP 20

Available with:

- Flying leads
- IP 54
- Speed sensor
- Three phase



Part Number	Nominal voltage	Airflow	Noise level	Nominal speed	Frequency	Capacitor	Input Power	Nominal current	Starting current	Operating temperature
	V	l/s	dB(A)	RPM	Hz	µF	W	mA	mA	Min.°C / Max.°C
148VE0282001	115	49	36	1400	50	1	11	100	140	-10 / 70
		58	39	1650	60	1	11	90	140	-10 / 70
148VE0281001	208-240	49	36	1400	50	0,32	13	60	80	-10 / 70
		58	39	1650	60	0,32	14	60	80	-10 / 70
148VP0282001	115	81	50	2350	50	2,2	14	120	170	-10 / 70
		70	46	2100	60	2,2	18	160	180	-10 / 70
148VP0281001	208-240	82	49	2400	50	0,69	16	70	100	-10 / 70
		70	44	2000	60	0,69	22	100	105	-10 / 70
148VK0282001	115	100	54	2850	50	2,7	32	300	610	-10 / 70
		119	57	3300	60	2,7	32	270	590	-10 / 70
148VK0281001	208-240	100	53	2800	50	2,2	35	200	390	-10 / 55
		117	57	3200	60	2,2	33	170	370	-10 / 55

Additional versions:

Other weight: 830 g with aluminium housing - other voltages
Salt spray protected - shock and vibration protected - marine specifications - wide temperature range