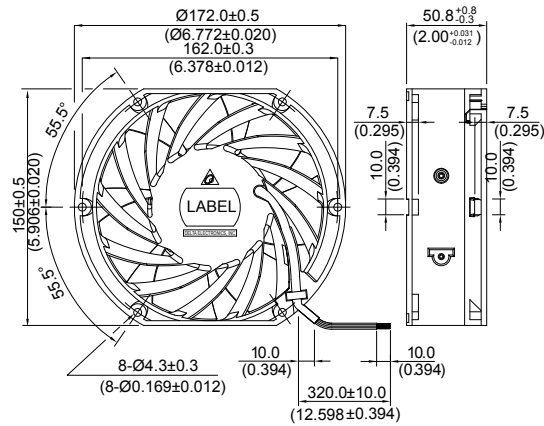


New



THB 172 x 150 x 50.8 MM SERIES

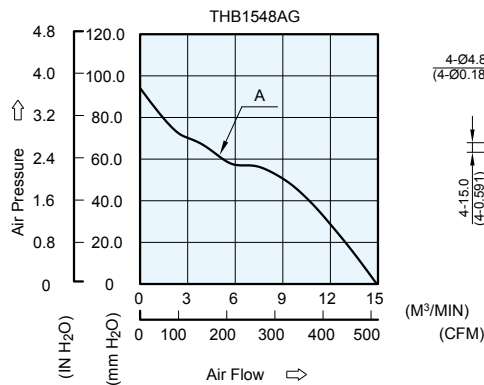
DIMENSIONS DRAWING



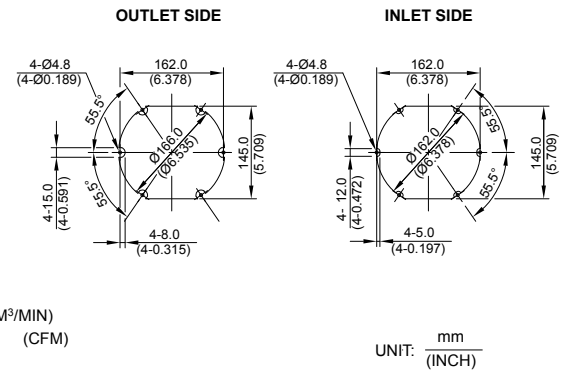
UNIT: $\frac{\text{mm}}{\text{INCH}}$

- * Bearing Type
Ball Bearings
- * Material
Impeller : Plastic(UL 94V-0)
Frame : Die-Cast Aluminum
- * Lead Wires :
UL1007 AWG#24 OR Equivalent
Black Wire Negative(-)
Red Wire Positive(+)
Blue Wire (F00)
Yellow Wire Speed Control (PWM)
- * Weight : 890g (31.39 oz)

P & Q CURVE (AT RATED VOLTAGE)



MOUNTING PANEL CUTOUT



UNIT: $\frac{\text{mm}}{\text{INCH}}$

| MODEL | | Rated Voltage | Operating Voltage Range | Input Current | Input Power | Speed | Maximum Air Flow | | Maximum Air Pressure | | Noise |
|------------------|----------|---------------|-------------------------|---------------|-------------|--------|---------------------|--------|----------------------|---------------------|-------|
| PART NO. | FUNCTION | VDC | VDC | Amp | Watt | R.P.M. | m ³ /min | CFM | mmH ₂ O | IN H ₂ O | dB-A |
| THB1548AG | PWM/-F00 | 48 | 30.0 to 60.0 | 3.00 | 144.00 | 7500 | 14.930 | 527.47 | 95.92 | 3.780 | 77.0 |

* Function type is optional.
 * The max. air flow and the speed are measured in free air ; max. air pressure is measured at zero air flow.
 * Noise is measured in anechoic chamber in free air, one meter from intake side.
 * All readings are typical values at rated voltage.
 * Specifications are subject to change without notice.