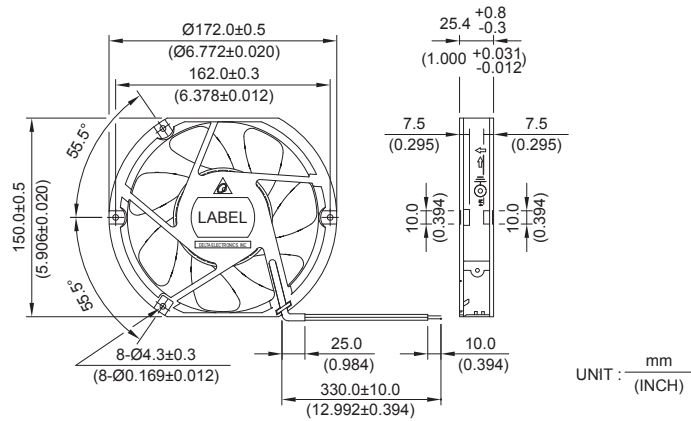


*New*



# AFB Ø172 x 150 x 25.4 MM SERIES

## ■ DIMENSIONS DRAWING

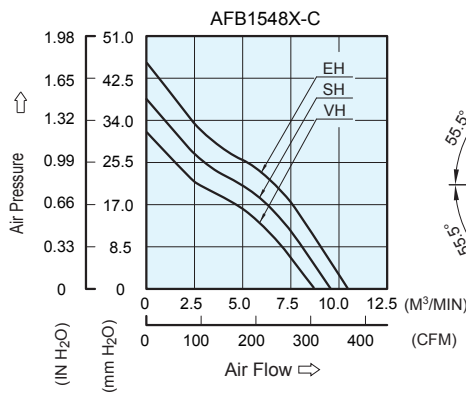


UNIT :  $\frac{\text{mm}}{\text{(INCH)}}$

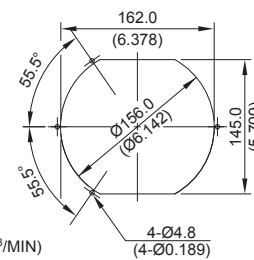
- \* Bearing Type  
Ball Bearings
- \* Material  
Impeller : Plastic(UL 94V-0)  
Frame : Die-Cast Aluminum
- \* Lead Wires :  
UL 1007 AWG #24 OR Equivalent  
Red Wire Positive(+)  
Black Wire Negative(-)
- \* Weight : 435g (28.22 OZ)

## ■ P & Q CURVE (AT RATED VOLTAGE)

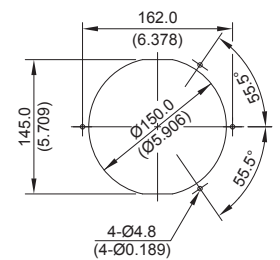
## ■ MOUNTING PANEL CUTOUT



### OUTLET SIDE



### INLET SIDE



UNIT :  $\frac{\text{mm}}{\text{(INCH)}}$

MODEL			Rated Voltage	Operating Voltage Range	Input Current	Input Power	Speed	Maximum Air Flow		Maximum Air Pressure		Noise
PART NO.	REV.	FUNCTION	VDC	VDC	Amp	Watt	R.P.M.	m <sup>3</sup> /min	CFM	mmH <sub>2</sub> O	IN H <sub>2</sub> O	dB-A
AFB1548VH	-C	-R00 / -F00	48	35.0 to 60.0	0.72	34.56	5000	8.700	307.24	31.82	1.253	64.5
AFB1548SH	-C	-R00 / -F00	48	35.0 to 60.0	0.92	44.16	5500	9.570	337.96	38.50	1.516	67.0
AFB1548EH	-C	-R00 / -F00	48	35.0 to 60.0	1.20	57.60	6000	10.440	368.68	45.82	1.804	69.0

\* Function type is optional.  
 \* The max. air flow and the speed are measured in free air ; max. air pressure is measured at zero air flow.  
 \* Noise is measured in anechoic chamber in free air, one meter from intake side.  
 \* All readings are typical values at rated voltage.  
 \* Specifications are subject to change without notice.