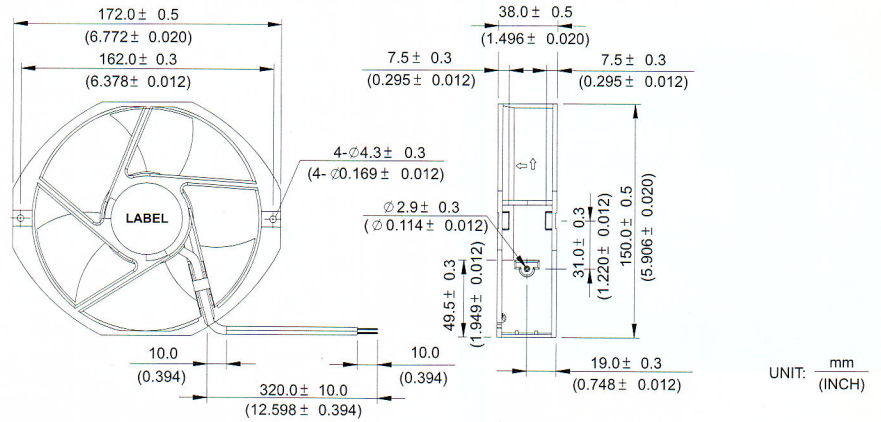


New

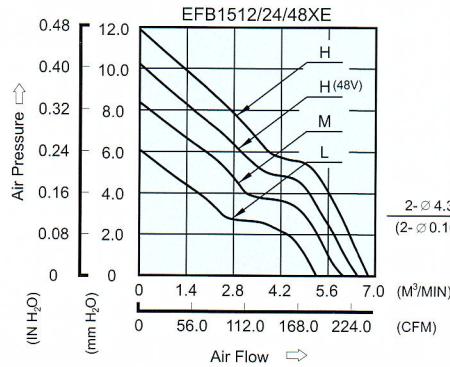
EFB 172 x 150 x 38 MM SERIES

■ DIMENSIONS DRAWING

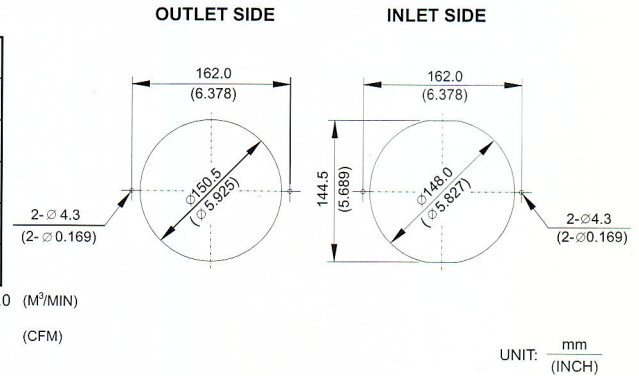


- * Bearing Type
Two Ball Bearings
- * Material
Impeller & Frame : Plastic(UL 94V-0)
- * Lead Wires :
UL 1007 AWG #24 OR Equivalent
Red Wire Positive(+)
Black Wire Negative(-)
- * Weight : 410g (14.46 OZ)

■ P & Q CURVE (AT RATED VOLTAGE)



■ MOUNTING PANEL CUTOUT



PRELIMINARY

| MODEL | | Rated Voltage | Operating Voltage Range | Rated Current | Rated Input Power | Speed | Maximum Air Flow | | Maximum Air Pressure | | Noise |
|-----------|-------------|---------------|-------------------------|---------------|-------------------|--------|------------------|--------|----------------------|--------|-------|
| TWO BALLS | FUNCTION | VDC | VDC | Amp | Watt | R.P.M. | M /min | CFM | mmH O | IN H O | dB-A |
| EFB1512LE | -R00 / -F00 | 12 | 7.0 to 13.2 | 0.65 | 7.80 | 2500 | 5.301 | 187.20 | 6.09 | 0.240 | 47.5 |
| EFB1524LE | -R00 / -F00 | 24 | 14.0 to 26.4 | 0.32 | 7.68 | | | | | | |
| EFB1548LE | -R00 / -F00 | 48 | 28.0 to 56.0 | 0.21 | 10.08 | | | | | | |
| EFB1512ME | -R00 / -F00 | 12 | 7.0 to 13.2 | 0.96 | 11.52 | 2900 | 6.049 | 213.62 | 8.37 | 0.330 | 51.5 |
| EFB1524ME | -R00 / -F00 | 24 | 14.0 to 26.4 | 0.53 | 12.72 | | | | | | |
| EFB1548ME | -R00 / -F00 | 48 | 28.0 to 56.0 | 0.28 | 13.44 | | | | | | |
| EFB1512HE | -R00 / -F00 | 12 | 7.0 to 13.2 | 1.62 | 19.44 | 3300 | 6.797 | 240.03 | 11.89 | 0.468 | 56.0 |
| EFB1524HE | -R00 / -F00 | 24 | 14.0 to 26.4 | 0.85 | 20.40 | | | | | | |
| EFB1548HE | -R00 / -F00 | 48 | 28.0 to 56.0 | 0.34 | 16.32 | | | | | | |

* Function type is optional.
 * The max. air flow and the speed are measured in free air ; max. air pressure is measured at zero air flow.
 * Noise is measured in anechoic chamber in free air, one meter from intake side.
 * All readings are typical values at rated voltage.
 * Specifications are subject to change without notice.