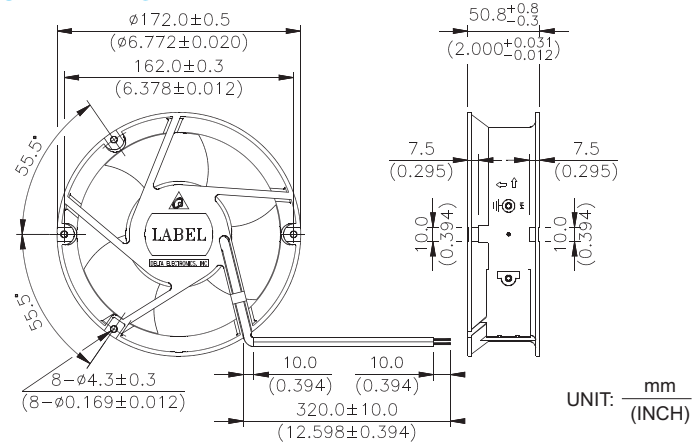


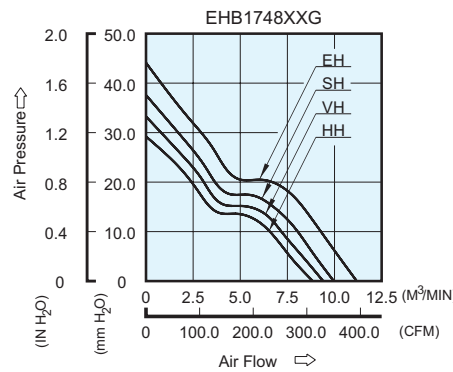
EHB Ø172 x 50.8 MM SERIES

DIMENSIONS DRAWING

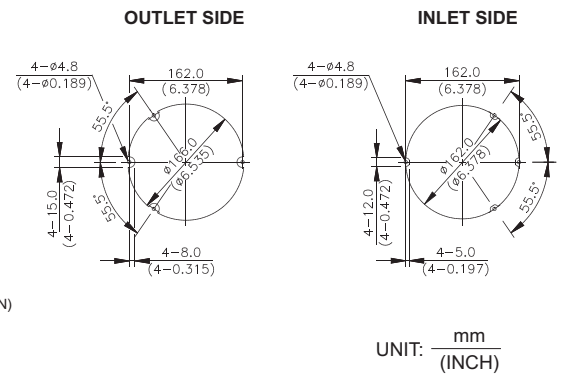


- * Bearing Type
Ball Bearings
- * Material
Impeller : Plastic (UL 94V-0)
Frame: Die-Cast Aluminum
- * Lead Wires :
UL 1007 AWG #24 OR Equivalent
Red Wire Positive (+)
Black Wire Negative (-)
- * Weight : 820g (28.92 oz)

P & Q CURVE (AT RATED VOLTAGE)



MOUNTING PANEL CUTOUT



MODEL		Rated Voltage	Operating Voltage Range	Input Current	Input Power	Speed	Maximum Air Flow		Maximum Air Pressure		Noise
PART NO.	FUNCTION	VDC	VDC	Amp	Watt	R.P.M.	m ³ /min	CFM	mmH ₂ O	IN H ₂ O	dB-A
EHB1748HHG	-R00 / -F00	48	32.0 to 80.0	0.61	29.28	4300	8.822	311.55	29.56	1.164	60.0
EHB1748VHG	-R00 / -F00	48	32.0 to 80.0	0.72	34.56	4600	9.382	331.33	33.75	1.329	62.0
EHB1748SHG	-R00 / -F00	48	32.0 to 80.0	0.88	42.24	4900	9.945	351.21	38.11	1.500	64.0
EHB1748EHG	-R00 / -F00	48	32.0 to 80.0	1.20	57.60	5200	11.163	394.22	44.73	1.761	66.0

* Function type is optional.
 * The max. air flow and the speed are measured in free air ; max. air pressure is measured at zero air flow.
 * Noise is measured in anechoic chamber in free air, one meter from intake side.
 * All readings are typical values at rated voltage.
 * Specifications are subject to change without notice.