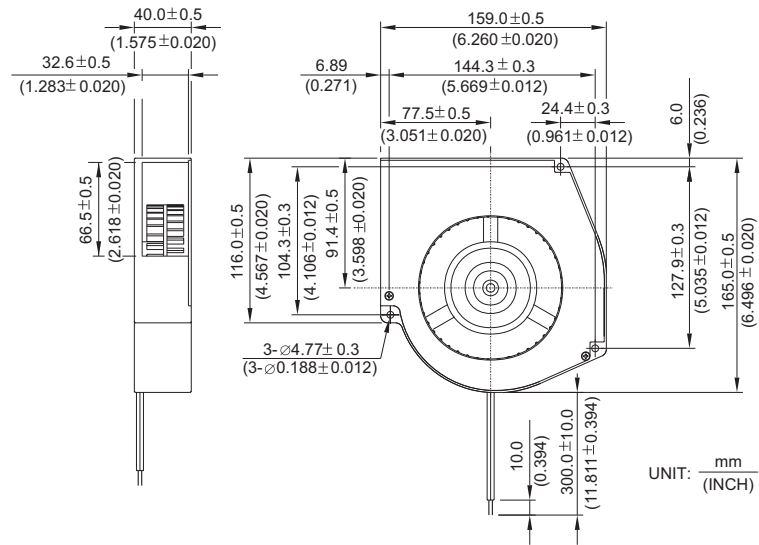
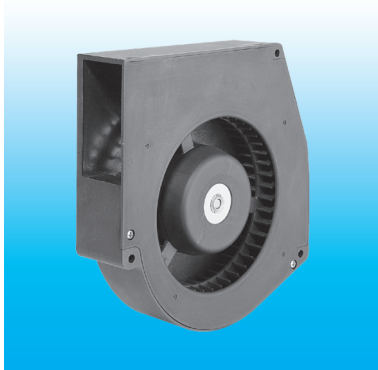


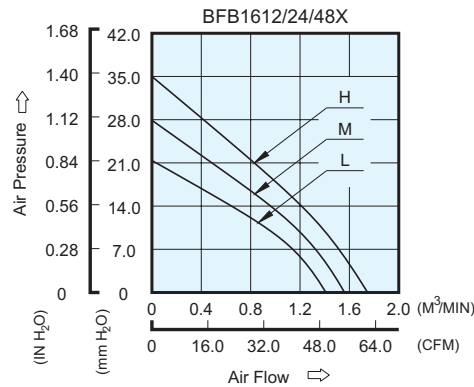
BFB 159 x 165 x 40 MM SERIES

DIMENSIONS DRAWING



- * Bearing Type
Ball Bearings
- * Material
Impeller & Frame : Plastic (UL 94V-0)
- * Lead Wires :
UL 1007 AWG #24 OR Equivalent
Red Wire Positive (+)
Black Wire Negative (-)
- * Weight : 588g (20.74 oz)

P & Q CURVE (AT RATED VOLTAGE)



MODEL		Rated Voltage	Operating Voltage Range	Input Current	Input Power	Speed	Maximum Air Flow		Maximum Air Pressure		Noise
PART NO.	FUNCTION	VDC	VDC	Amp	Watt	R.P.M.	m ³ /min	CFM	mmH ₂ O	IN H ₂ O	dB-A
BFB1612L	-R00 / -F00	12	7.0 to 13.2	0.80	9.60	1800	1.410	49.79	21.50	0.846	51.5
BFB1624L	-R00 / -F00	24	14.0 to 26.4	0.40	9.60						
BFB1648L	-R00 / -F00	48	28.0 to 56.0	0.22	10.56						
BFB1612M	-R00 / -F00	12	7.0 to 13.2	1.10	13.20	2000	1.560	55.09	28.00	1.102	54.5
BFB1624M	-R00 / -F00	24	14.0 to 26.4	0.56	13.44						
BFB1648M	-R00 / -F00	48	28.0 to 56.0	0.28	13.44						
BFB1612H	-R00 / -F00	12	7.0 to 13.2	1.43	17.16	2200	1.750	61.80	35.00	1.378	56.5
BFB1624H	-R00 / -F00	24	14.0 to 26.4	0.74	17.16						

* Function type is optional.
 * The max. air flow and the speed are measured in free air ; max. air pressure is measured at zero air flow.
 * Noise is measured in anechoic chamber in free air, one meter from intake side.
 * All readings are typical values at rated voltage.
 * Specifications are subject to change without notice.