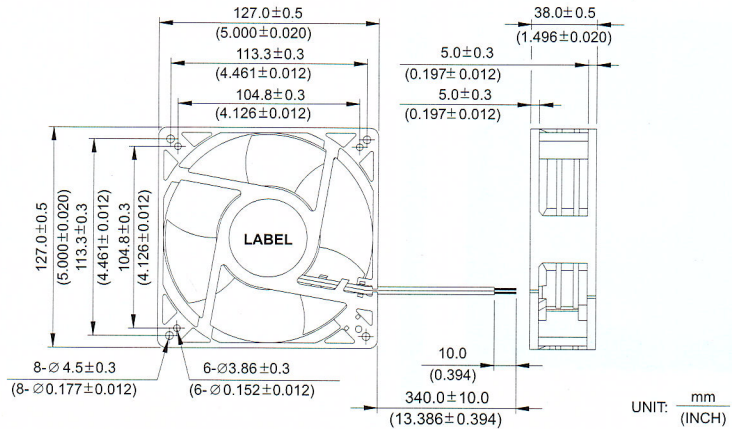


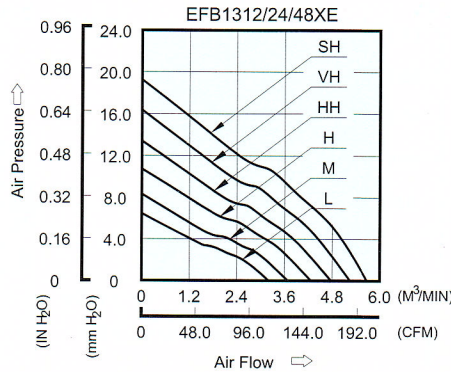
EFB 127 x 127 x 38 MM SERIES

DIMENSIONS DRAWING

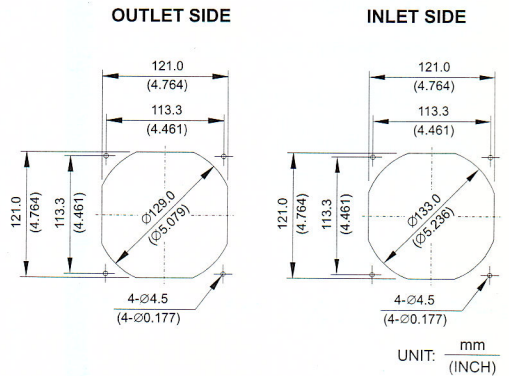


- * Bearing Type
Two Ball Bearings
- * Material
Impeller & Frame : Plastic (UL 94V-0)
- * Lead Wires :
UL 1007 AWG #24 Or Equivalent
Red Wire Positive (+)
Black Wire Negative (-)
- * Weight : 370g (13.05 oz)

P & Q CURVE (AT RATED VOLTAGE)



MOUNTING PANEL CUTOUT



MODELS		Rated Voltage	Operating Voltage Range	Rated Current	Rated Input Power	Speed	Maximum Air Flow		Maximum Air Pressure		Noise
TWO BALLS	FUNCTION	VDC	VDC	Amp	Watt	R.P.M.	m ³ /min	CFM	mm H ₂ O	IN H ₂ O	dB-A
EFB1312LE	-R00 / -F00	12	7.0 to 13.6	0.40	4.80	2600	3.200	113.00	6.45	0.254	43.0
EFB1324LE	-R00 / -F00	24	14.0 to 27.6	0.22	5.28						
EFB1348LE	-R00 / -F00	48	28.0 to 56.0	0.12	5.76						
EFB1312ME	-R00 / -F00	12	7.0 to 13.6	0.58	6.96	3000	3.681	130.00	8.32	0.328	46.5
EFB1324ME	-R00 / -F00	24	14.0 to 27.6	0.31	7.44						
EFB1348ME	-R00 / -F00	48	28.0 to 56.0	0.16	7.68						
EFB1312HE	-R00 / -F00	12	7.0 to 13.6	0.82	9.84	3400	4.267	150.70	10.72	0.422	49.5
EFB1324HE	-R00 / -F00	24	14.0 to 27.6	0.41	9.84						
EFB1348HE	-R00 / -F00	48	28.0 to 56.0	0.21	10.08						
EFB1312HHE	-R00 / -F00	12	7.0 to 13.6	1.08	12.96	3800	4.757	168.00	13.39	0.527	52.5
EFB1324HHE	-R00 / -F00	24	14.0 to 27.6	0.54	12.96						
EFB1348HHE	-R00 / -F00	48	28.0 to 56.0	0.28	13.44						
EFB1312VHE	-R00 / -F00	12	7.0 to 13.6	1.40	16.80	4200	5.239	185.00	16.35	0.644	55.5
EFB1324VHE	-R00 / -F00	24	14.0 to 27.6	0.70	16.80						
EFB1348VHE	-R00 / -F00	48	28.0 to 56.0	0.36	17.28						
EFB1312SHE	-R00 / -F00	12	7.0 to 13.6	1.84	22.08	4600	5.663	200.00	19.23	0.757	58.5
EFB1324SHE	-R00 / -F00	24	14.0 to 27.6	0.92	22.08						

* Function type is optional.
 * The max. air flow and the speed are measured in free air ; max. air pressure is measured at zero air flow.
 * Noise is measured in anechoic chamber in free air, one meter from intake side.
 * All readings are typical values at rated voltage.
 * Specifications are subject to change without notice.