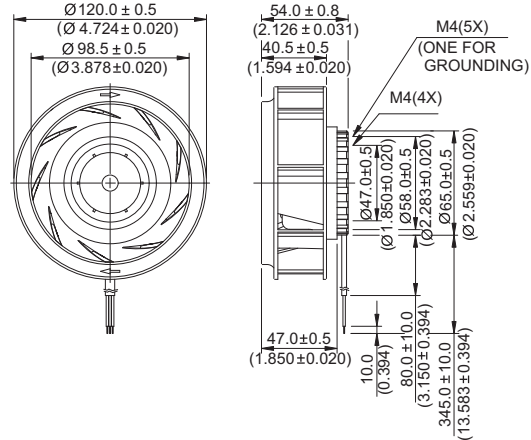


*New*



# KFB Ø 120 x 54 MM SERIES

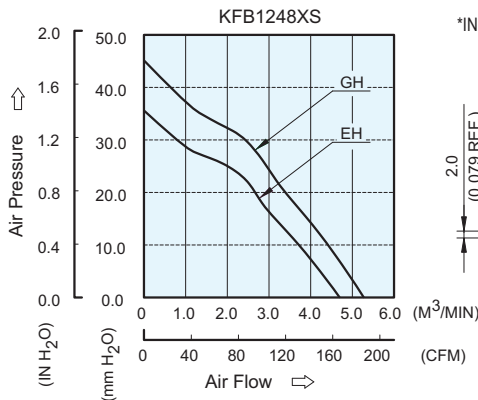
## DIMENSIONS DRAWING



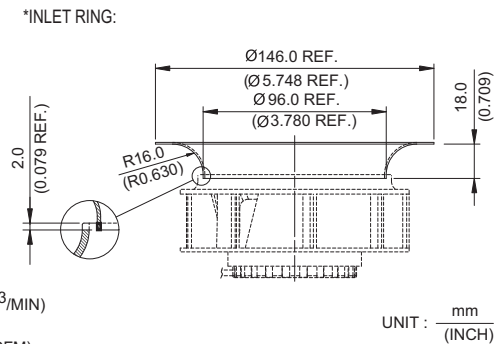
UNIT : mm  
(INCH)

- \* Bearing Type  
Ball Bearings
- \* Material  
Impeller : Plastic (UL 94V-0)
- \* Pillow : Die-Cast Aluminum
- Lead Wires :  
UL 1007 AWG #24 OR Equivalent  
Red Wire Positive (+)  
Black Wire Negative (-)
- \* Weight : 330g (11.64 oz)

## P & Q CURVE (AT RATED VOLTAGE)



## MOUNTING PANEL CUTOUT



UNIT : mm  
(INCH)

MODEL		Rated Voltage	Operating Voltage Range	Input Current	Input Power	Speed	Maximum Air Flow		Maximum Air Pressure		Noise
PART NO.	FUNCTION	VDC	VDC	Amp	Watt	R.P.M.	m <sup>3</sup> / min	CFM	mmH <sub>2</sub> O	IN H <sub>2</sub> O	dB-A
KFB1248EHS	-R00 / -F00	48	28.0 to 60.0	0.50	24.00	4100	4.690	165.50	35.50	1.400	61.0
KFB1248GHS	-R00 / -F00	48	28.0 to 60.0	0.63	30.24	4600	5.270	186.00	45.00	1.770	64.0

\* Function type is optional.  
 \* The max. air flow and the speed are measured in free air ; max. air pressure is measured at zero air flow.  
 \* Noise is measured in anechoic chamber in free air, one meter from intake side.  
 \* All readings are typical values at rated voltage.  
 \* Specifications are subject to change without notice.