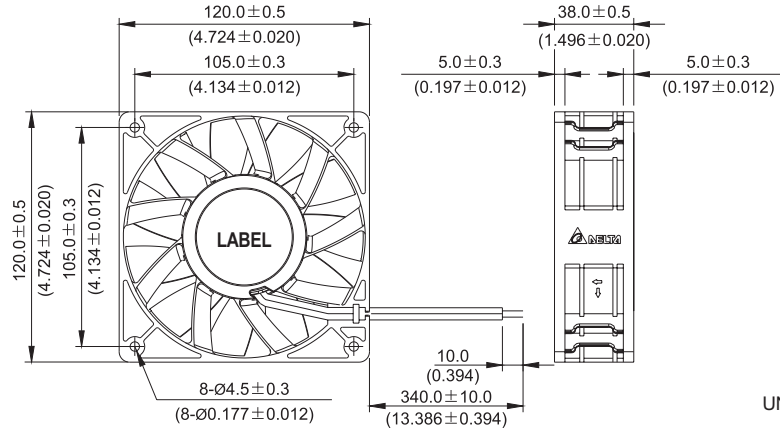


PFB 120 x 120 x 38 MM SERIES

DIMENSIONS DRAWING

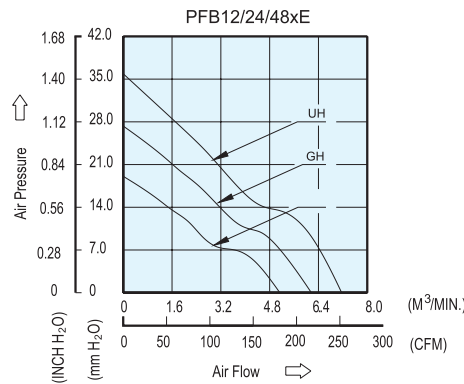


UNIT: $\frac{\text{mm}}{\text{(INCH)}}$

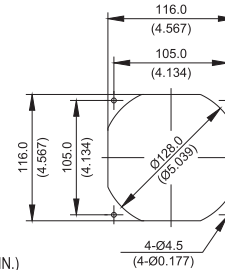
- * Bearing Type
Ball Bearings
- * Material
Impeller & Frame : Plastic (UL 94V-0)
- * Lead Wires :
UL 1007 AWG #24 OR Equivalent
Red Wire Positive (+)
Black Wire Negative (-)
- * Weight : 380g (13.40 oz)

P & Q CURVE (AT RATED VOLTAGE)

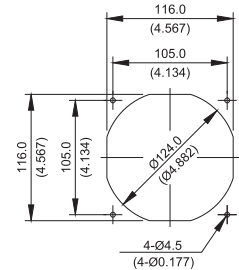
MOUNTING PANEL CUTOUT



OUTLET SIDE



INLET SIDE



UNIT: $\frac{\text{mm}}{\text{(INCH)}}$

MODEL		Rated Voltage	Operating Voltage Range	Input Current	Input Power	Speed	Maximum Air Flow		Maximum Air Pressure		Noise
PART NO.	FUNCTION	VDC	VDC	Amp	Watt	R.P.M.	m ³ / min	CFM	mmH ₂ O	IN H ₂ O	dB-A
PFB1212EHE	-R00 / -F00	12	8.0 to 13.2	1.60	19.20	4000	5.133	181.27	19.078	0.751	59.0
PFB1224EHE	-R00 / -F00	24	14.0 to 26.5	0.90	21.60						
PFB1248EHE	-R00 / -F00	48	30.0 to 56.0	0.45	21.60						
PFB1212GHE	-R00 / -F00	12	8.0 to 13.2	2.70	32.40	4800	6.167	217.80	27.308	1.075	64.0
PFB1224GHE	-R00 / -F00	24	14.0 to 26.5	1.35	32.40						
PFB1248GHE	-R00 / -F00	48	30.0 to 56.0	0.68	32.64						
PFB1212UHE	-R00 / -F00	12	8.0 to 13.2	4.00	48.00	5500	7.160	252.85	35.877	1.412	66.5
PFB1224UHE	-R00 / -F00	24	14.0 to 26.5	2.00	48.00						
PFB1248UHE	-R00 / -F00	48	30.0 to 56.0	1.00	48.00						

* Function type is optional.
 * The max. air flow and the speed are measured in free air ; max. air pressure is measured at zero air flow.
 * Noise is measured in anechoic chamber in free air, one meter from intake side.
 * All readings are typical values at rated voltage.
 * Specifications are subject to change without notice.