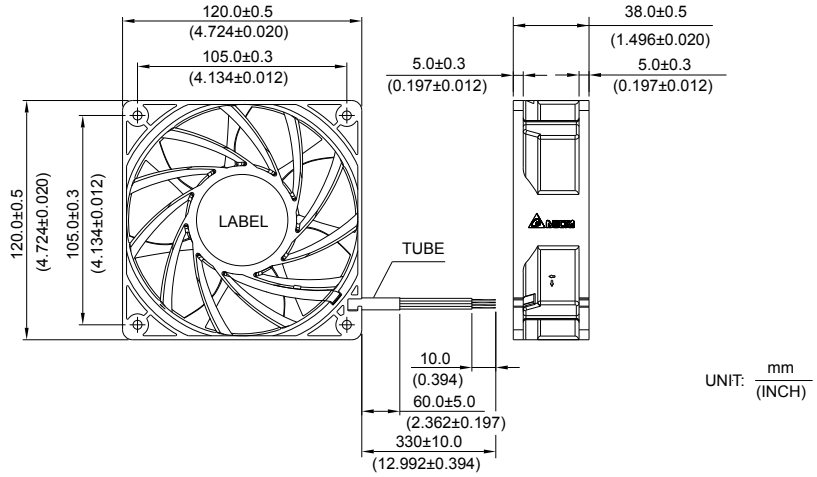


New



THB 120 x 120 x 38.0 MM SERIES

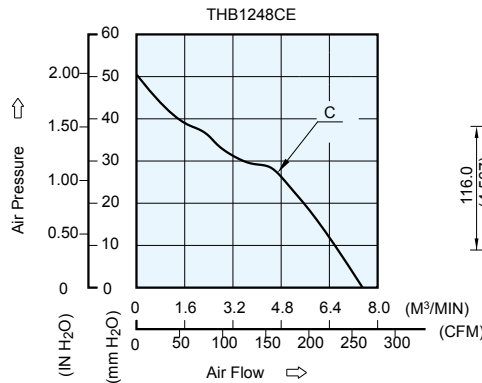
■ DIMENSIONS DRAWING



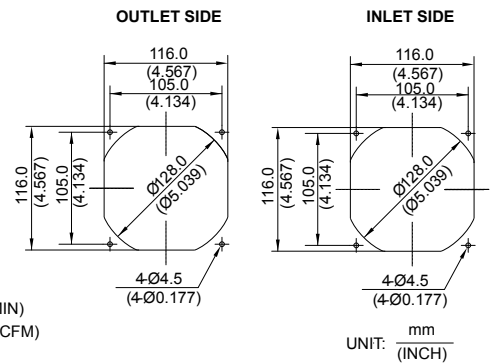
UNIT: $\frac{\text{mm}}{\text{(INCH)}}$

- * Bearing Type
Ball Bearings
- * Material
Impeller : Plastic(UL 94V-0)
Frame : Die-Cast Aluminum
- * Lead Wires :
UL1007 AWG#24 OR Equivalent
Black Wire Negative(-)
Red Wire Positive(+)
Blue Wire (F00)
Yellow Wire Speed Control (PWM)
- * Weight : 350g (12.356 oz)

■ P & Q CURVE (AT RATED VOLTAGE)



■ MOUNTING PANEL CUTOUT



UNIT: $\frac{\text{mm}}{\text{(INCH)}}$

MODEL		Rated Voltage	Operating Voltage Range	Input Current	Input Power	Speed	Maximum Air Flow		Maximum Air Pressure		Noise
PART NO.	FUNCTION	VDC	VDC	Amp	Watt	R.P.M.	m ³ /min	CFM	mmH ₂ O	IN H ₂ O	dB-A
THB1248CE	PWM/-F00	48	36.0 to 60.0	0.95	45.60	7800	7.360	262.00	52.44	2.065	70.0

- * Function type is optional.
- * The max. air flow and the speed are measured in free air ; max. air pressure is measured at zero air flow.
- * Noise is measured in anechoic chamber in free air, one meter from intake side.
- * All readings are typical values at rated voltage.
- * Specifications are subject to change without notice.