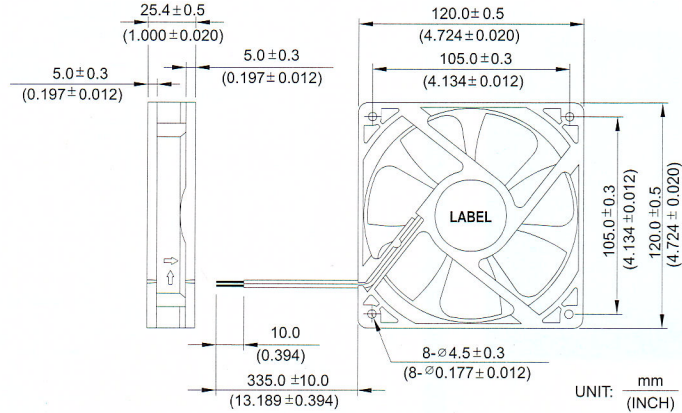


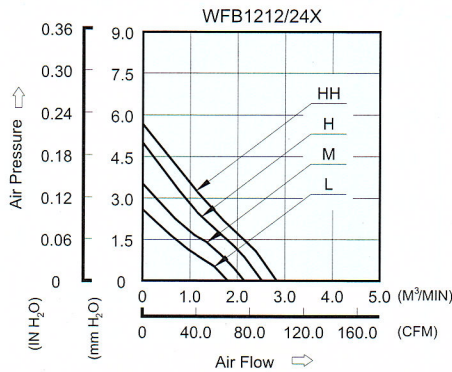
WFB 120 x 120 x 25.4 MM SERIES

DIMENSIONS DRAWING

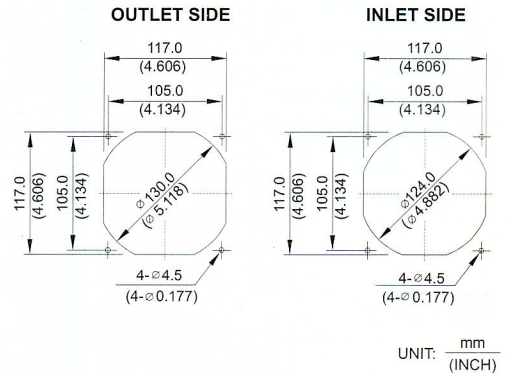


- * Bearing Type
Two Ball Bearings
- * Material
Impeller & Frame : Plastic (UL 94V-0)
- * Lead Wires :
UL 1007 AWG #24 Or Equivalent
Red Wire Positive (+)
Black Wire Negative (-)
- * Weight : 180g (6.35 oz)

P & Q CURVE (AT RATED VOLTAGE)



MOUNTING PANEL CUTOUT



MODELS		Rated Voltage	Operating Voltage Range	Rated Current	Rated Input Power	Speed	Maximum Air Flow		Maximum Air Pressure		Noise
TWO BALLS	FUNCTION	VDC	VDC	Amp	Watt	R.P.M.	m³/min	CFM	mmH ₂ O	IN H ₂ O	dB-A
WFB1212L	-R00 / -F00	12	7.0 to 13.8	0.14	1.68	1750	1.750	61.80	2.65	0.104	30.2
WFB1224L	-R00 / -F00	24	14.0 to 27.6	0.10	2.40						
WFB1212M	-R00 / -F00	12	7.0 to 13.8	0.20	2.40	2100	2.050	72.39	3.40	0.134	34.0
WFB1224M	-R00 / -F00	24	14.0 to 27.6	0.14	3.36						
WFB1212H	-R00 / -F00	12	7.0 to 13.8	0.36	4.32	2470	2.450	86.52	4.80	0.189	37.6
WFB1224H	-R00 / -F00	24	14.0 to 27.6	0.20	4.80						
WFB1212HH	-R00 / -F00	12	7.0 to 13.8	0.61	7.32	2800	2.700	95.35	5.60	0.220	42.5
WFB1224HH	-R00 / -F00	24	14.0 to 27.6	0.26	6.24						

* Function type is optional.
 * The max. air flow and the speed are measured in free air ; max. air pressure is measured at zero air flow.
 * Noise is measured in anechoic chamber in free air, one meter from intake side.
 * All readings are typical values at rated voltage.
 * Specifications are subject to change without notice.