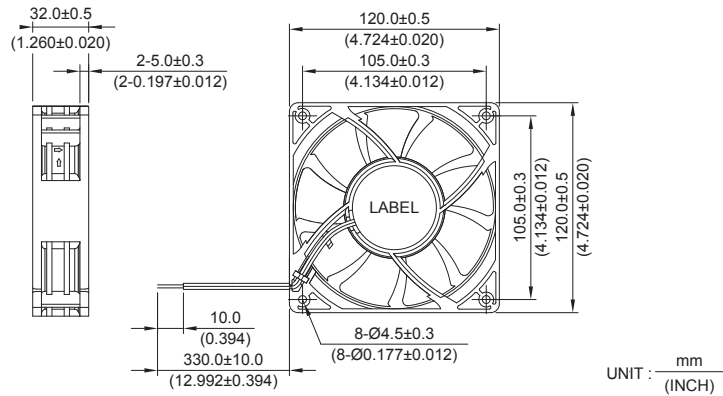


New



AFB 120 x 120 x 32 MM SERIES

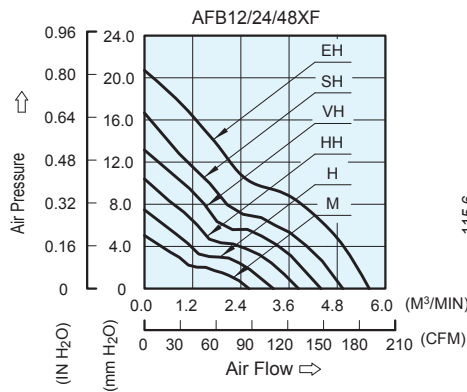
■ DIMENSIONS DRAWING



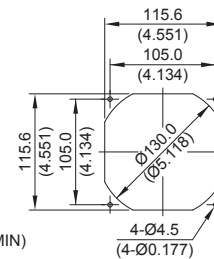
- * Bearing Type
Ball Bearings
- * Material
Impeller & Frame : Plastic (UL 94V-0)
- * Lead Wires :
UL 1007 AWG #24 OR Equivalent
Red Wire Positive(+)
Black Wire Negative(-)
- * Weight : 275g (9.70 OZ)

■ P & Q CURVE (AT RATED VOLTAGE)

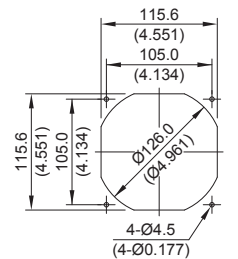
■ MOUNTING PANEL CUTOUT



OUTLET SIDE



INLET SIDE



MODEL		Rated Voltage	Operating Voltage Range	Input Current	Input Power	Speed	Maximum Air Flow		Maximum Air Pressure		Noise
PART NO.	FUNCTION	VDC	VDC	Amp	Watt	R.P.M.	m ³ / min	CFM	mmH ₂ O	IN H ₂ O	dB-A
AFB1212MF	-R00 / -F00	12	6.0 to 13.8	0.30	3.60	2300	2.602	91.88	5.04	0.198	39.5
AFB1224MF	-R00 / -F00	24	14.0 to 28.0	0.20	4.80						
AFB1248MF	-R00 / -F00	48	24.0 to 56.0	0.10	4.80						
AFB1212HF	-R00 / -F00	12	6.0 to 13.8	0.50	6.00	2800	3.209	113.33	7.47	0.294	44.0
AFB1224HF	-R00 / -F00	24	14.0 to 28.0	0.30	7.20						
AFB1248HF	-R00 / -F00	48	24.0 to 56.0	0.13	6.24						
AFB1212HHF	-R00 / -F00	12	6.0 to 13.8	0.65	7.80	3300	3.835	135.43	10.41	0.410	49.0
AFB1224HHF	-R00 / -F00	24	14.0 to 28.0	0.36	8.64						
AFB1248HHF	-R00 / -F00	48	24.0 to 56.0	0.21	10.08						
AFB1212VHF	-R00 / -F00	12	6.0 to 13.8	1.00	12.00	3800	4.394	155.18	13.14	0.517	52.5
AFB1224VHF	-R00 / -F00	24	14.0 to 28.0	0.50	12.00						
AFB1248VHF	-R00 / -F00	48	24.0 to 56.0	0.25	12.00						
AFB1212SHF	-R00 / -F00	12	6.0 to 13.8	1.35	16.20	4300	4.940	174.45	16.66	0.656	56.0
AFB1224SHF	-R00 / -F00	24	14.0 to 26.4	0.70	16.80						
AFB1248SHF	-R00 / -F00	48	24.0 to 56.0	0.35	16.80						
AFB1212EHF	-R00 / -F00	12	6.0 to 12.6	1.85	22.20	4800	5.625	198.64	21.24	0.836	59.0

* Function type is optional.
 * The max. air flow and the speed are measured in free air ; max. air pressure is measured at zero air flow.
 * Noise is measured in anechoic chamber in free air, one meter from in take side.
 * All reading sare typical values at rated voltage.
 * Specifications are subject to change without notice.