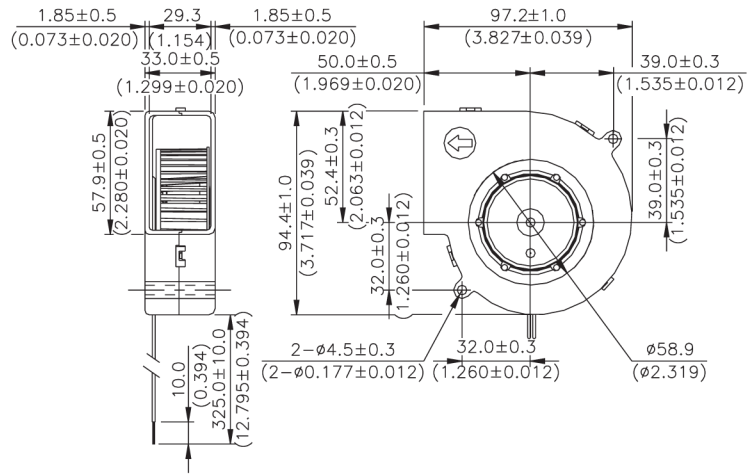


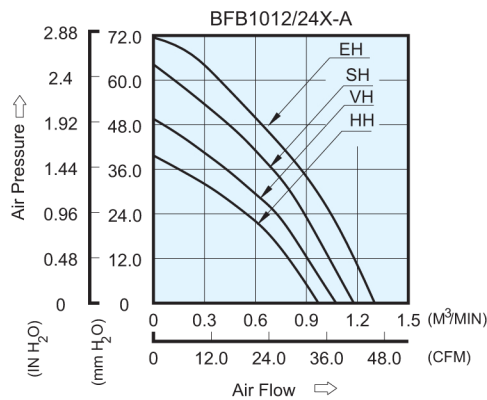
BFB 97 x 94 x 33 MM SERIES

DIMENSIONS DRAWING



UNIT: $\frac{\text{mm}}{\text{INCH}}$

P & Q CURVE (AT RATED VOLTAGE)



- * Bearing Type: Ball Bearings
- * Material: Impeller & Frame : Plastic (UL 94V-0)
- * Lead Wires : UL 1007 AWG #24 OR Equivalent
- * Red Wire Positive (+)
- * Black Wire Negative (-)
- * Weight : 180g (6.35 oz)

| MODEL | | | Rated Voltage | Operating Voltage Range | Input Current | Input Power | Speed | Maximum Air Flow | | Maximum Air Pressure | | Noise |
|-----------|------|----------|---------------|-------------------------|---------------|-------------|--------|---------------------|-------|----------------------|---------------------|-------|
| PART NO. | REV. | FUNCTION | VDC | VDC | Amp | Watt | R.P.M. | m ³ /min | CFM | mmH ₂ O | IN H ₂ O | dB-A |
| BFB1012HH | -A | R00/F00 | 12 | 7.0 to 13.2 | 1.25 | 15.00 | 4000 | 0.971 | 34.28 | 39.70 | 1.564 | 57.0 |
| BFB1012VH | -A | R00/F00 | 12 | 7.0 to 13.2 | 1.50 | 18.00 | 4500 | 1.075 | 37.97 | 49.58 | 1.952 | 60.0 |
| BFB1012SH | -A | R00/F00 | 12 | 7.0 to 12.6 | 2.00 | 24.00 | 5000 | 1.179 | 41.65 | 64.23 | 2.529 | 63.0 |
| BFB1012EH | -A | R00/F00 | 12 | 7.0 to 12.6 | 2.45 | 29.40 | 5300 | 1.302 | 46.00 | 71.48 | 2.814 | 64.0 |

* Function type is optional.
 * The max. air flow and the speed are measured in free air ; max. air pressure is measured at zero air flow.
 * Noise is measured in anechoic chamber in free air, one meter from intake side.
 * All readings are typical values at rated voltage.
 * Specifications are subject to change without notice.