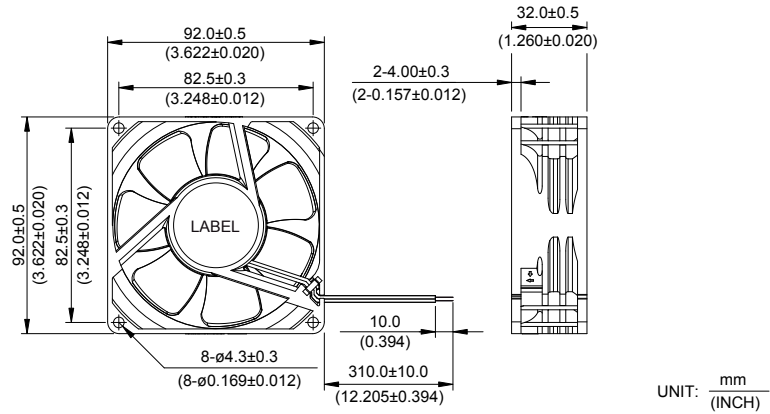


New



AFB 92 x 92 x 32 MM SERIES

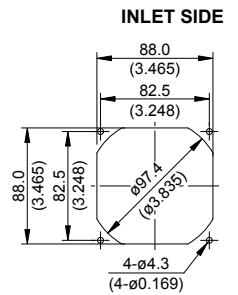
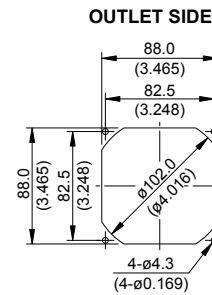
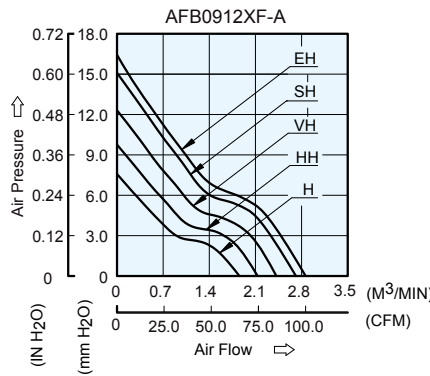
■ DIMENSIONS DRAWING



- * Bearing Type
Ball Bearings
- * Material
Impeller & Pillow : Plastic (UL 94V-0)
- * Lead Wires :
UL 1007 AWG #24 OR Equivalent
Red Wire Positive(+)
Black Wire Negative(-)
- * Weight : 180g (6.35 OZ)

■ P & Q CURVE (AT RATED VOLTAGE)

■ MOUNTING PANEL CUTOUT



UNIT: $\frac{\text{mm}}{\text{(INCH)}}$

| MODEL | | | Rated Voltage | Operating Voltage Range | Input Current | Input Power | Speed | Maximum Air Flow | | Maximum Air Pressure | | Noise |
|------------|------|-----------|---------------|-------------------------|---------------|-------------|--------|---------------------|--------|----------------------|---------------------|-------|
| PART NO. | REV. | FUNCTION | VDC | VDC | Amp | Watt | R.P.M. | m ³ /min | CFM | mmH ₂ O | IN H ₂ O | dB-A |
| AFB0912HF | -A | -R00/-F00 | 12 | 7.0 to 13.2 | 0.21 | 2.52 | 3300 | 1.857 | 65.60 | 7.58 | 0.298 | 38.0 |
| AFB0912HHF | -A | -R00/-F00 | 12 | 7.0 to 13.2 | 0.28 | 3.36 | 3800 | 2.133 | 75.31 | 9.76 | 0.384 | 43.0 |
| AFB0912VHF | -A | -R00/-F00 | 12 | 7.0 to 13.2 | 0.42 | 5.04 | 4300 | 2.417 | 85.34 | 12.31 | 0.485 | 47.0 |
| AFB0912SHF | -A | -R00/-F00 | 12 | 7.0 to 13.2 | 0.60 | 7.20 | 4800 | 2.714 | 95.83 | 15.10 | 0.594 | 49.0 |
| AFB0912EHF | -A | -R00/-F00 | 12 | 7.0 to 13.2 | 0.66 | 7.92 | 5000 | 2.861 | 101.04 | 16.43 | 0.647 | 50.0 |

* Function type is optional.
 * The max. air flow and the speed are measured in free air ; max. air pressure is measured at zero air flow.
 * Noise is measured in anechoic chamber in free air, one meter from intake side.
 * All readings are typical values at rated voltage.
 * Specifications are subject to change without notice.