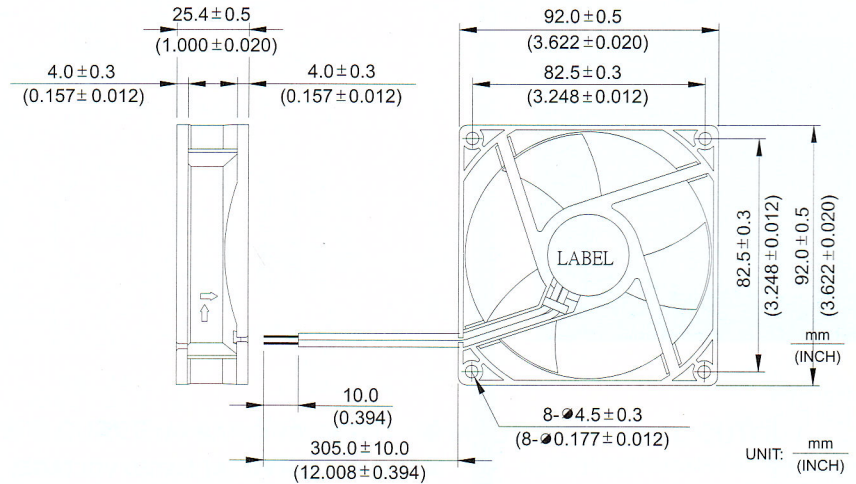


New

EFB 92 x 92 x 25.4 MM SERIES

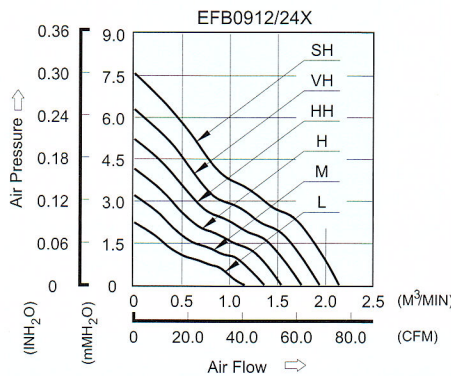
■ DIMENSIONS DRAWING



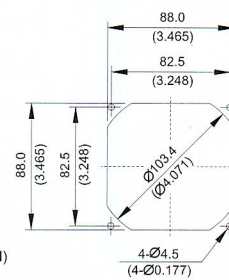
- * Bearing Type
Two Ball Bearings
- * Material
Impeller & Frame : Plastic(UL 94V-0)
- * Lead Wires :
UL 1007 AWG #24 OR Equivalent
Red Wire Positive(+)
Black Wire Negative(-)
- * Weight : 96g (3.39 OZ)

■ P & Q CURVE (AT RATED VOLTAGE)

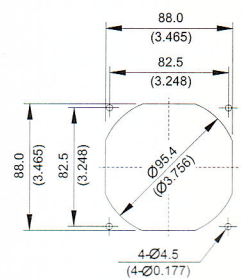
■ MOUNTING PANEL CUTOUT



OUTLET SIDE



INLET SIDE



MODELS		Rated Voltage	Operating Voltage Range	Rated Current	Rated Input Power	Speed	Maximum Air Flow		Maximum Air Pressure		Noise
TWO BALLS	FUNCTION	VDC	VDC	Amp	Watt	R.P.M	m ³ /min	CFM	mmH ₂ O	IN H ₂ O	dB-A
EFB0912L	-R00 / -F00	12	7.0 to 13.8	0.10	1.20	2300	1.150	40.60	2.23	0.088	29.5
EFB0924L	-R00 / -F00	24	14.0 to 27.6	0.05	1.20						
EFB0912M	-R00 / -F00	12	7.0 to 13.8	0.16	1.92	2800	1.320	46.60	3.24	0.127	34.0
EFB0924M	-R00 / -F00	24	14.0 to 27.6	0.08	1.92						
EFB0912H	-R00 / -F00	12	7.0 to 13.8	0.20	2.40	3200	1.542	54.44	4.15	0.163	37.5
EFB0924H	-R00 / -F00	24	14.0 to 27.6	0.10	2.40						
EFB0912HH	-R00 / -F00	12	7.0 to 13.8	0.28	3.36	3600	1.746	61.65	5.21	0.205	41.5
EFB0924HH	-R00 / -F00	24	14.0 to 27.6	0.14	3.36						
EFB0912VH	-R00 / -F00	12	7.0 to 13.8	0.36	4.32	4000	1.936	68.36	6.30	0.248	44.0
EFB0924VH	-R00 / -F00	24	14.0 to 27.6	0.18	4.32						
EFB0912SH	-R00 / -F00	12	7.0 to 13.8	0.50	6.00	4400	2.141	75.59	7.58	0.298	47.0
EFB0924SH	-R00 / -F00	24	14.0 to 27.6	0.25	6.00						

* Function type is optional.
 * The max. air flow and the speed are measured in free air ; max. air pressure is measured at zero air flow.
 * Noise is measured in anechoic chamber in free air, one meter from intake side.
 * All readings are typical values at rated voltage.
 * Specifications are subject to change without notice.