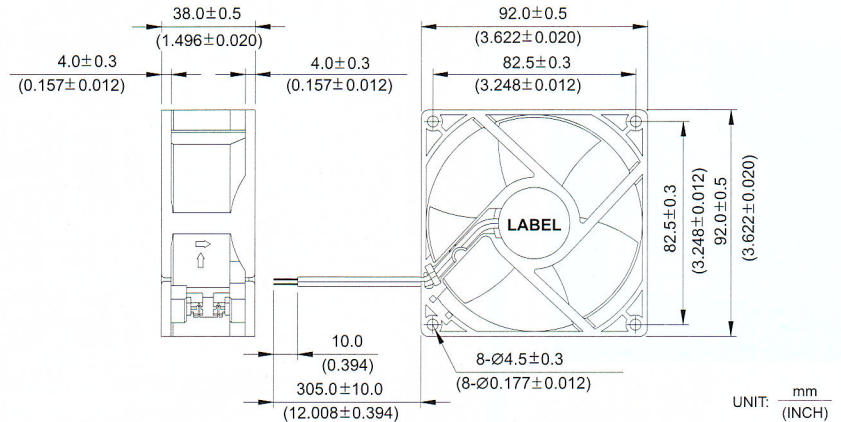
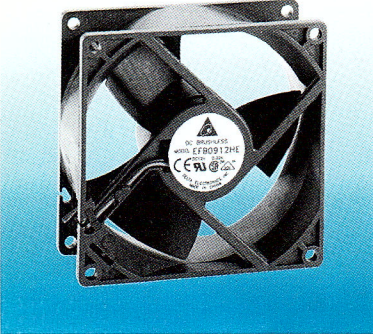


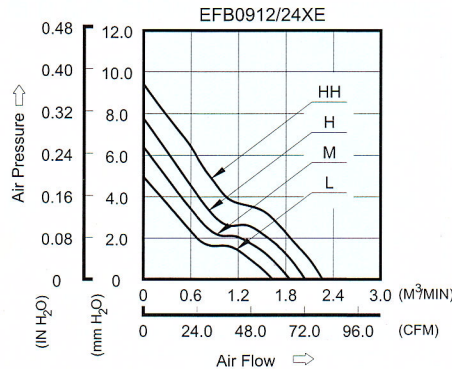
# EFB 92 x 92 x 38 MM SERIES

## DIMENSIONS DRAWING

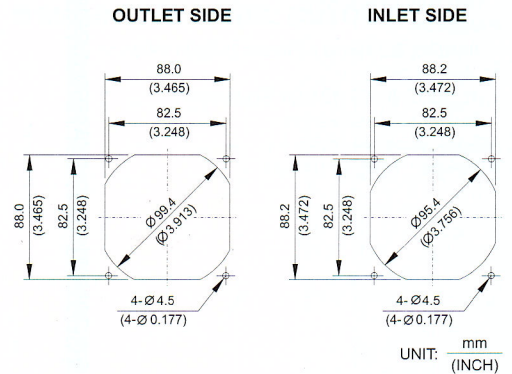


- \* Bearing Type  
Two Ball Bearings
- \* Material  
Impeller & Frame : Plastic (UL 94V-0)
- \* Lead Wires :  
UL 1007 AWG #24 Or Equivalent  
Red Wire Positive (+)  
Black Wire Negative (-)
- \* Weight : 140g (4.94 oz)

## P & Q CURVE (AT RATED VOLTAGE)



## MOUNTING PANEL CUTOUT



MODELS		Rated Voltage	Operating Voltage Range	Rated Current	Rated Input Power	Speed	Maximum Air Flow		Maximum Air Pressure		Noise
TWO BALLS	FUNCTION	VDC	VDC	Amp	Watt	R.P.M.	m <sup>3</sup> /min	CFM	mmH <sub>2</sub> O	IN H <sub>2</sub> O	dB-A
EFB0912LE	-R00 / -F00	12	4.0 to 13.8	0.17	2.04	2800	1.631	57.60	4.95	0.195	36.0
EFB0924LE	-R00 / -F00	24	14.0 to 27.6	0.09	2.16						
EFB0912ME	-R00 / -F00	12	4.0 to 13.8	0.24	2.88	3200	1.852	65.40	6.40	0.252	40.0
EFB0924ME	-R00 / -F00	24	14.0 to 27.6	0.11	2.64						
EFB0912HE	-R00 / -F00	12	4.0 to 13.8	0.32	3.84	3600	2.042	72.11	7.77	0.306	43.0
EFB0924HE	-R00 / -F00	24	14.0 to 27.6	0.16	3.84						
EFB0912HHE	-R00 / -F00	12	4.0 to 13.2	0.42	5.04	4000	2.260	79.81	9.42	0.371	46.0
EFB0924HHE	-R00 / -F00	24	14.0 to 27.6	0.20	4.80						

\* Function type is optional.  
 \* The max. air flow and the speed are measured in free air; max. air pressure is measured at zero air flow.  
 \* Noise is measured in anechoic chamber in free air, one meter from intake side.  
 \* All readings are typical values at rated voltage.  
 \* Specifications are subject to change without notice.