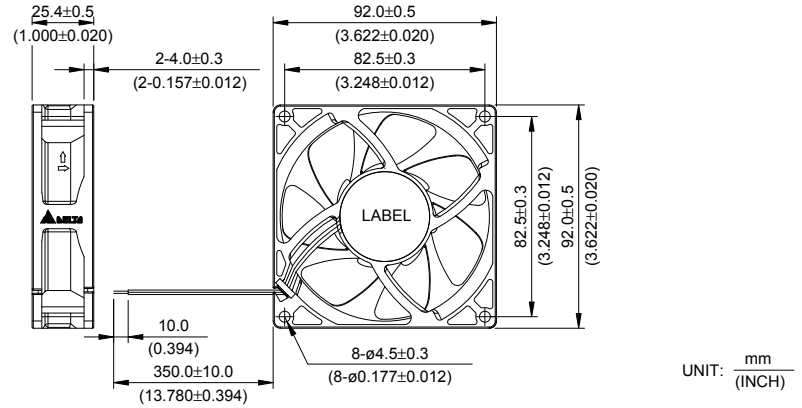


New



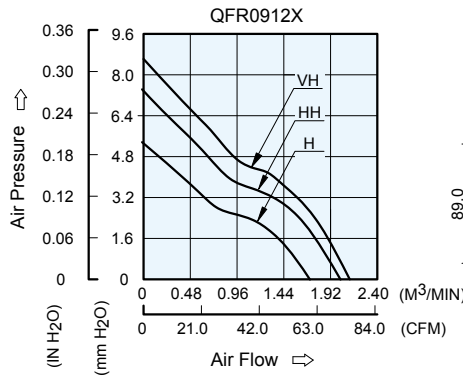
QFR 92 x 92 x 25.4 MM SERIES

■ DIMENSIONS DRAWING

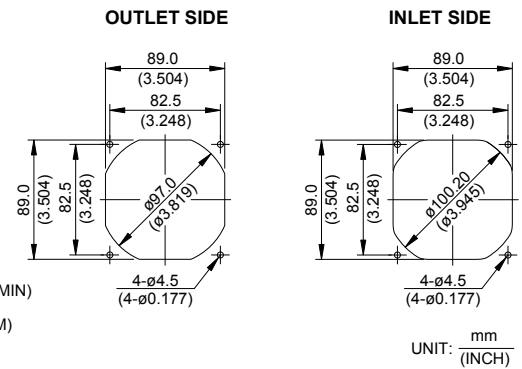


- * Bearing Type
Ball Bearings
- * Material
Impeller & Frame : Plastic (UL 94V-0)
- * Lead Wires :
UL 1061 AWG #24 OR Equivalent
Red Wire Positive (+)
Black Wire Negative(-)
- * Weight : 110g (3.88 OZ)

■ P & Q CURVE (AT RATED VOLTAGE)



■ MOUNTING PANEL CUTOUT



MODEL		Rated Voltage	Operating Voltage Range	Rated Current	Rated Input Power	Speed	Maximum Air Flow		Maximum Air Pressure		Noise
PART NO.	FUNCTION	VDC	VDC	Amp	Watt	R.P.M.	m ³ /min	CFM	mmH ₂ O	IN H ₂ O	dB-A
QFR0912H	-R00 / -F00	12	5.0 to 13.2	0.21	2.52	3200	1.712	60.47	5.34	0.210	37.0
QFR0912HH	-R00 / -F00	12	5.0 to 13.2	0.30	3.60	3800	2.024	71.49	7.39	0.291	42.2
QFR0912VH	-R00 / -F00	12	10.8 to 13.2	0.40	4.80	4200	2.117	74.78	8.62	0.339	45.0

- * Function type is optional.
- * The max. air flow and the speed are measured in free air ; max. air pressure is measured at zero air flow.
- * Noise is measured in anechoic chamber in free air, one meter from intake side.
- * All readings are typical values at rated voltage.
- * Specifications are subject to change without notice.