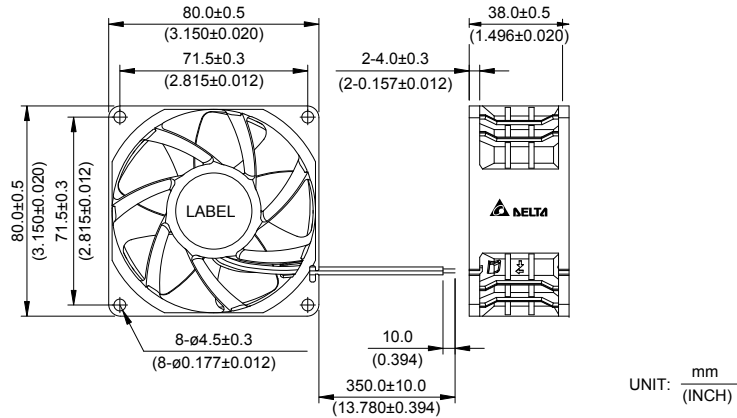


*New*



## QFR 80 x 80 x 38 MM SERIES

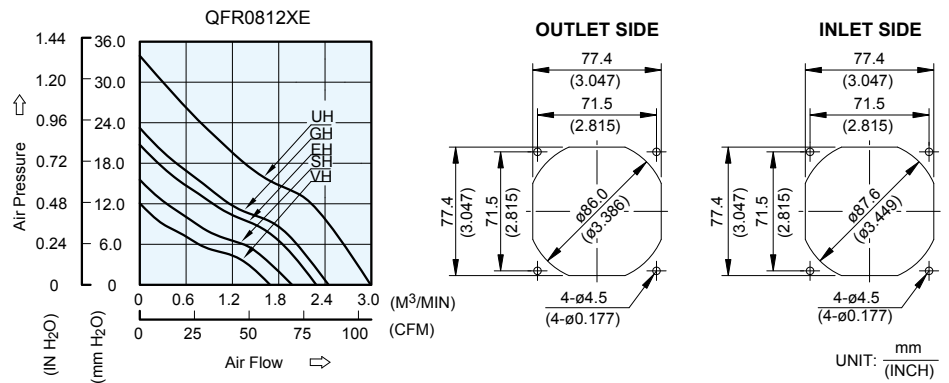
### ■ DIMENSIONS DRAWING



- \* Bearing Type  
Ball Bearings
- \* Material  
Impeller & Pillow : Plastic(UL 94V-0)
- \* Lead Wires :  
UL 1007 AWG #24 OR Equivalent  
Red Wire Positive(+)  
Black Wire Negative(-)
- \* Weight : 160g (5.64 OZ)

### ■ P & Q CURVE (AT RATED VOLTAGE)

### ■ MOUNTING PANEL CUTOUT



MODEL		Rated Voltage	Operating Voltage Range	Input Current	Input Power	Speed	Maximum Air Flow		Maximum Air Pressure		Noise
PART NO.	FUNCTION	VDC	VDC	Amp	Watt	R.P.M.	m <sup>3</sup> /min	CFM	mmH <sub>2</sub> O	IN H <sub>2</sub> O	dB-A
QFR0812VHE	-R00/-F00	12	7.0 to 13.2	0.29	3.48	5200	1.688	59.62	12.08	0.476	44.4
QFR0812SHE	-R00/-F00	12	7.0 to 13.2	0.40	4.80	5900	1.907	67.35	15.04	0.592	48.4
QFR0812EHE	-R00/-F00	12	7.0 to 13.2	0.47	5.64	6800	2.214	78.17	19.80	0.780	52.8
QFR0812GHE	-R00/-F00	12	7.0 to 13.2	0.72	8.64	7500	2.445	86.36	23.76	0.935	55.4
QFR0812UHE	-R00/-F00	12	7.0 to 13.2	1.15	13.80	9000	2.979	105.21	33.91	1.335	60.0

- \* Function type is optional.
- \* The max. air flow and the speed are measured in free air ; max. air pressure is measured at zero air flow.
- \* Noise is measured in anechoic chamber in free air, one meter from intake side.
- \* All readings are typical values at rated voltage.
- \* Specifications are subject to change without notice.