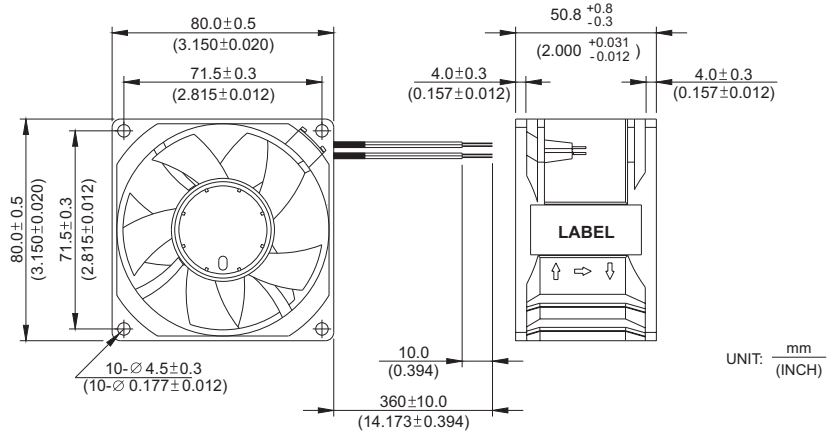


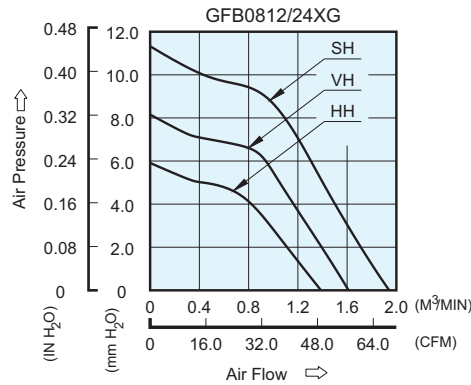
GFB 80 x 80 x 50.8 MM SERIES

DIMENSIONS DRAWING

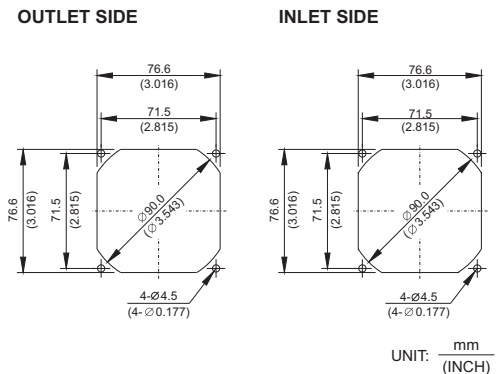


- * Bearing Type
Ball Bearings
- * Material
Impeller & Frame : Plastic(UL 94V-0)
- * Lead Wires :
UL 1061 AWG #24 OR Equivalent
Red Wire Positive(+)
Black Wire Negative(-)
- * Weight : 165g (5.82 OZ)

P & Q CURVE (AT RATED VOLTAGE)



MOUNTING PANEL CUTOUT



| MODEL | | Rated Voltage | Operating Voltage Range | Input Current | Input Power | Speed (Front/Rear) | Maximum Air Flow | | Maximum Air Pressure | | Noise |
|------------|-------------|---------------|-------------------------|---------------|-------------|--------------------|---------------------|-------|----------------------|---------------------|-------|
| PART NO. | FUNCTION | VDC | VDC | Amp | Watt | R.P.M. | m ³ /min | CFM | mmH ₂ O | IN H ₂ O | dB-A |
| GFB0812HHG | -R00 / -F00 | 12 | 7.0 to 13.2 | 0.31 | 3.72 | 3100/2900 | 1.388 | 49.02 | 5.91 | 0.233 | 43.0 |
| GFB0824HHG | -R00 / -F00 | 24 | 14.0 to 27.6 | 0.18 | 4.32 | | | | | | |
| GFB0812VHG | -R00 / -F00 | 12 | 7.0 to 13.2 | 0.47 | 5.64 | 3600/3260 | 1.612 | 56.93 | 8.15 | 0.321 | 47.5 |
| GFB0824VHG | -R00 / -F00 | 24 | 14.0 to 27.6 | 0.24 | 5.76 | | | | | | |
| GFB0812SHG | -R00 / -F00 | 12 | 7.0 to 13.2 | 0.73 | 8.76 | 4200/3750 | 1.942 | 68.58 | 11.32 | 0.445 | 53.0 |
| GFB0824SHG | -R00 / -F00 | 24 | 14.0 to 27.6 | 0.37 | 8.88 | | | | | | |

* Function type is optional.
 * The max. air flow and the speed are measured in free air ; max. air pressure is measured at zero air flow.
 * Noise is measured in anechoic chamber in free air, one meter from intake side.
 * All readings are typical values at rated voltage.
 * Specifications are subject to change without notice.