

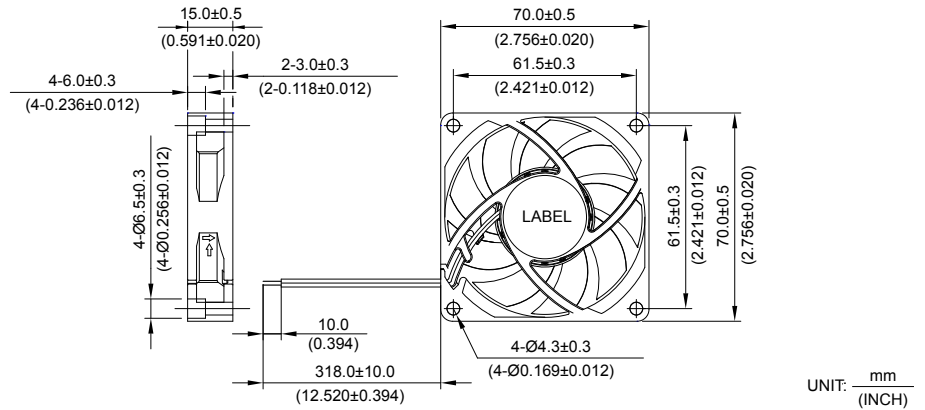
New



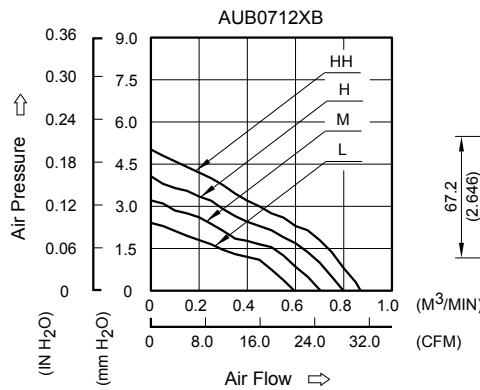
- * Bearing Type
Superflo Bearing
- * Material
Impeller & Frame : Plastic (UL 94V-0)
- * Lead Wires :
UL 1007 AWG #24 OR Equivalent
Red Wire Positive (+)
Black Wire Negative(-)
- * Weight : 47g (1.66 OZ)
- * Rib Type Only

AUB 70 x 70 x 15 MM SERIES

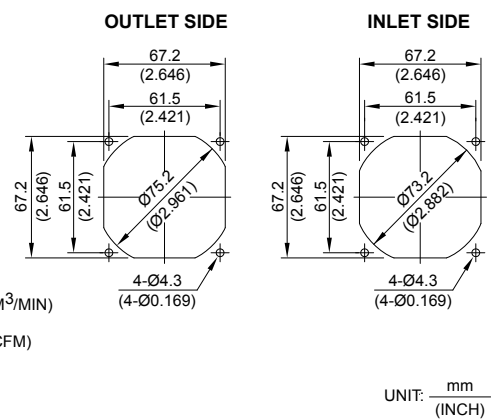
DIMENSIONS DRAWING



P & Q CURVE (AT RATED VOLTAGE)



MOUNTING PANEL CUTOUT



MODEL		Rated Voltage	Operating Voltage Range	Rated Current	Rated Input Power	Speed	Maximum Air Flow		Maximum Air Pressure		Noise
PART NO.	FUNCTION	VDC	VDC	Amp	Watt	R.P.M.	m ³ /min	CFM	mmH ₂ O	IN H ₂ O	dB-A
AUB0712LB	-R00 / -F00	12	4.0 to 13.2	0.07	0.84	3300	0.595	21.03	2.41	0.095	29.5
AUB0712MB	-R00 / -F00	12	4.0 to 13.2	0.10	1.20	3800	0.704	24.86	3.21	0.126	33.5
AUB0712HB	-R00 / -F00	12	4.0 to 13.2	0.12	1.44	4300	0.799	28.22	4.07	0.160	37.5
AUB0712HMB	-R00 / -F00	12	4.0 to 13.2	0.18	2.16	4800	0.870	30.69	5.02	0.198	41.0

- * Function type is optional.
- * The max. air flow and the speed are measured in free air ; max. air pressure is measured at zero air flow.
- * Noise is measured in anechoic chamber in free air, one meter from intake side.
- * All readings are typical values at rated voltage.
- * Specifications are subject to change without notice.