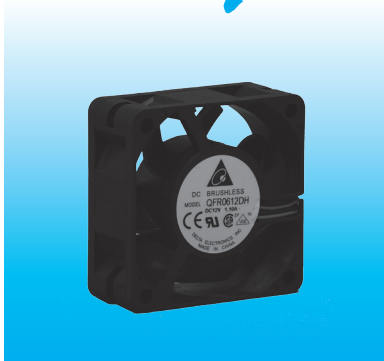
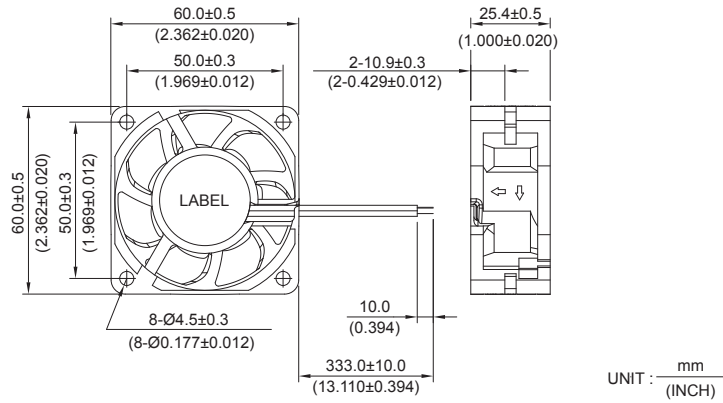


*New*



# QFR 60 x 60 x 25.4 MM SERIES

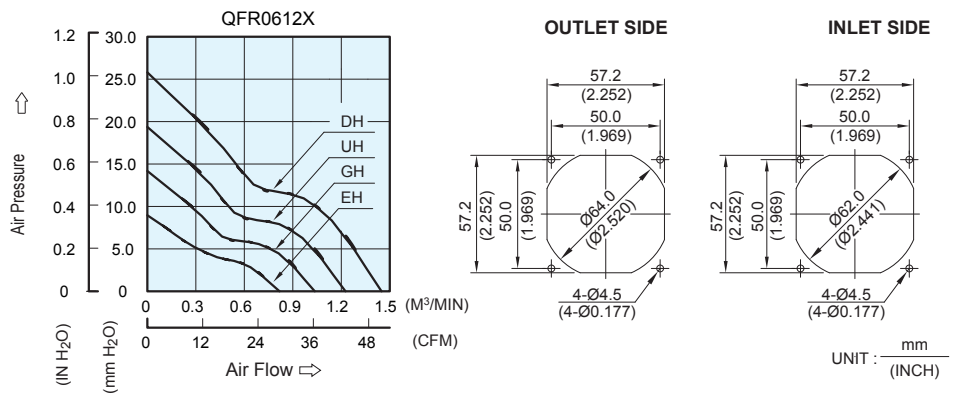
## ■ DIMENSIONS DRAWING



- \* Bearing Type  
Ball Bearings
- \* Material  
Impeller & Frame : Plastic (UL 94V-0)
- \* Lead Wires :  
UL 1061 AWG #24 OR Equivalent  
Red Wire Positive(+)  
Black Wire Negative(-)
- \* Weight : 90g (3.17 OZ)

## ■ P & Q CURVE (AT RATED VOLTAGE)

## ■ MOUNTING PANEL CUTOUT



MODEL		Rated Voltage	Operating Voltage Range	Input Current	Input Power	Speed	Maximum Air Flow		Maximum Air Pressure		Noise
PART NO.	FUNCTION	VDC	VDC	Amp	Watt	R.P.M.	m <sup>3</sup> / min	CFM	mmH <sub>2</sub> O	IN H <sub>2</sub> O	dB-A
QFR0612EH-B	-R00 / -F00	12	7.0 to 13.2	0.20	2.40	6000	0.818	28.89	8.961	0.353	39.0
QFR0612GH-B	-R00 / -F00	12	7.0 to 13.2	0.30	3.60	7600	1.036	36.59	14.18	0.558	44.7
QFR0612UH-B	-R00 / -F00	12	7.0 to 13.2	0.47	5.64	9000	1.226	43.30	19.37	0.763	49.7
QFR0612DH-B	-R00 / -F00	12	7.0 to 13.2	0.75	9.00	10600	1.449	51.17	25.80	1.016	54.5

\* Function type is optional.  
 \* The max. air flow and the speed are measured in free air ; max. air pressure is measured at zero air flow.  
 \* Noise is measured in anechoic chamber in free air, one meter from intake side.  
 \* All readings are typical values at rated voltage.  
 \* Specifications are subject to change without notice.