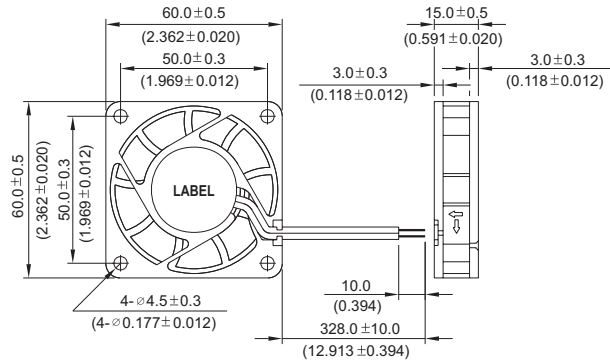


# AFB 60 x 60 x 15 MM SERIES

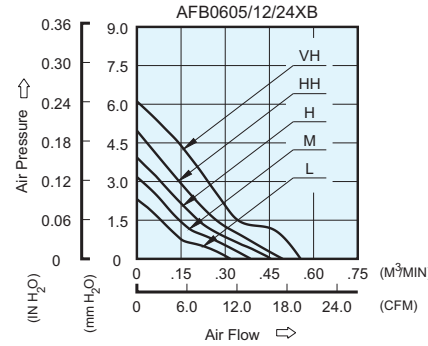
## DIMENSIONS DRAWING



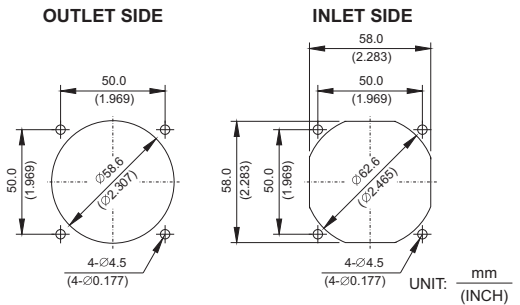
UNIT: mm (INCH)

- \* Bearing Type  
Ball Bearings
- \* Material  
Impeller & Frame : Plastic (UL 94V-0)
- \* Lead Wires :  
UL 1007 AWG #24 OR Equivalent  
Red Wire Positive (+)  
Black Wire Negative (-)
- \* Weight : 44g (1.55 oz)
- \* Rib Type Only

## P & Q CURVE (AT RATED VOLTAGE)



## MOUNTING PANEL CUTOUT



MODEL		Rated Voltage	Operating Voltage Range	Input Current	Input Power	Speed	Maximum Air Flow		Maximum Air Pressure		Noise
PART NO.	FUNCTION	VDC	VDC	Amp	Watt	R.P.M.	m <sup>3</sup> / min	CFM	mmH <sub>2</sub> O	IN H <sub>2</sub> O	dB-A
AFB0605LB	/ -F00	5	4.0 to 6.0	0.13	0.65	3000	0.327	11.55	2.21	0.087	24.0
AFB0612LB	-R00 / -F00	12	7.0 to 13.8	0.07	0.84						
AFB0624LB	-R00 / -F00	24	14.0 to 27.6	0.04	0.96						
AFB0605MB	/ -F00	5	4.0 to 6.0	0.20	1.00	3500	0.381	13.45	3.01	0.119	29.0
AFB0612MB	-R00 / -F00	12	7.0 to 13.8	0.08	0.96						
AFB0624MB	-R00 / -F00	24	14.0 to 27.6	0.06	1.44						
AFB0605HB	/ -F00	5	4.0 to 6.0	0.30	1.50	4000	0.435	15.36	3.93	0.155	32.0
AFB0612HB	-R00 / -F00	12	7.0 to 13.8	0.10	1.20						
AFB0624HB	-R00 / -F00	24	14.0 to 27.6	0.08	1.92						
AFB0605HHB	/ -F00	5	4.0 to 6.0	0.40	2.00	4500	0.490	17.30	4.97	0.195	35.0
AFB0612HHB	-R00 / -F00	12	7.0 to 13.8	0.12	1.44						
AFB0624HHB	-R00 / -F00	24	14.0 to 27.6	0.10	2.40						
AFB0612VHB	-R00 / -F00	12	7.0 to 13.8	0.16	1.92	5000	0.550	19.42	6.10	0.240	37.0
AFB0624VHB	-R00 / -F00	24	14.0 to 27.6	0.11	2.64						

\* Function type is optional.  
 \* The max. air flow and the speed are measured in free air ; max. air pressure is measured at zero air flow.  
 \* Noise is measured in anechoic chamber in free air, one meter from intake side.  
 \* All readings are typical values at rated voltage.  
 \* Specifications are subject to change without notice.  
 \* Both of the ball bearing and the 1 ball + 1 Sleeve type are available.