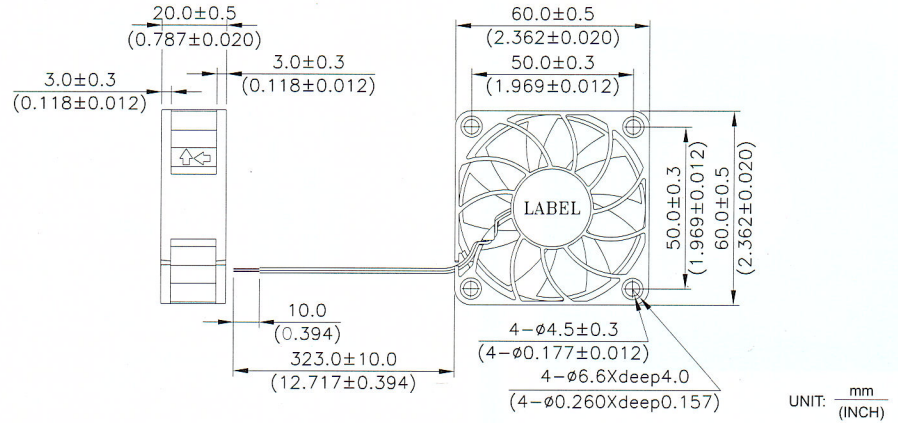
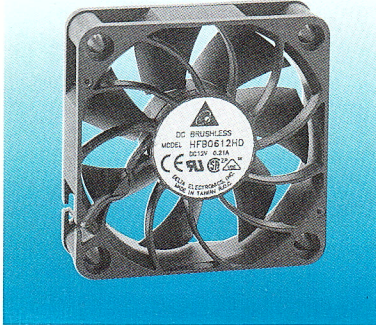


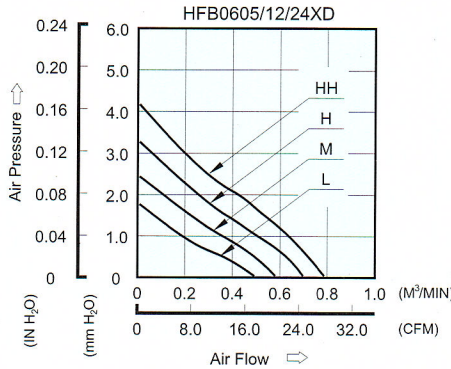
HFB 60 x 60 x 20 MM SERIES

DIMENSIONS DRAWING

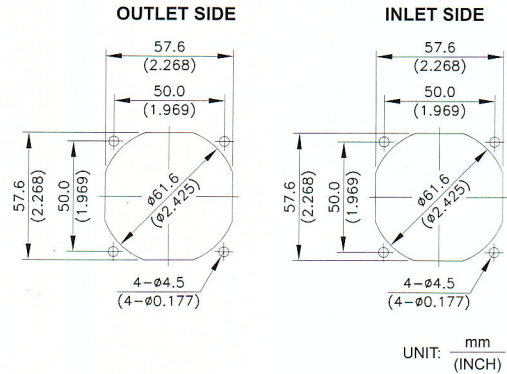


- * Bearing Type
Two Ball Bearings
- * Material
Impeller & Frame : Plastic (UL 94V-0)
- * Lead Wires :
UL 1061 AWG #26 Or Equivalent
Red Wire Positive (+)
Black Wire Negative (-)
- * Weight : 37.5g (1.32 oz)
- * Rib Type Only

P & Q CURVE (AT RATED VOLTAGE)



MOUNTING PANEL CUTOUT



MODELS		Rated Voltage	Operating Voltage Range	Rated Current	Rated Input Power	Speed	Maximum Air Flow		Maximum Air Pressure		Noise
TWO BALLS	FUNCTION	VDC	VDC	Amp	Watt	R.P.M.	m ³ /min	CFM	mmH O	IN H O	dB-A
HFB0605LD	-R00 / -F00	5	4.0 to 6.0	0.18	0.90	3000	0.481	16.99	1.71	0.067	28.3
HFB0612LD	-R00 / -F00	12	7.0 to 13.8	0.06	0.72						
HFB0624LD	-R00 / -F00	24	14.0 to 27.6	0.06	1.44						
HFB0605MD	-R00 / -F00	5	4.0 to 6.0	0.29	1.45	3600	0.573	20.24	2.36	0.093	33.3
HFB0612MD	-R00 / -F00	12	7.0 to 13.8	0.10	1.20						
HFB0624MD	-R00 / -F00	24	14.0 to 27.6	0.09	2.16						
HFB0612HD	-R00 / -F00	12	7.0 to 13.8	0.14	1.68	4200	0.667	23.55	3.26	0.128	37.4
HFB0624HD	-R00 / -F00	24	14.0 to 27.6	0.10	2.40						
HFB0612HHD	-R00 / -F00	12	7.0 to 13.8	0.17	2.04	4800	0.777	27.44	4.13	0.163	39.4

- * Function type is optional.
- * The max. air flow and the speed are measured in free air ; max. air pressure is measured at zero air flow.
- * Noise is measured in anechoic chamber in free air, one meter from intake side.
- * All readings are typical values at rated voltage.
- * Specifications are subject to change without notice.