

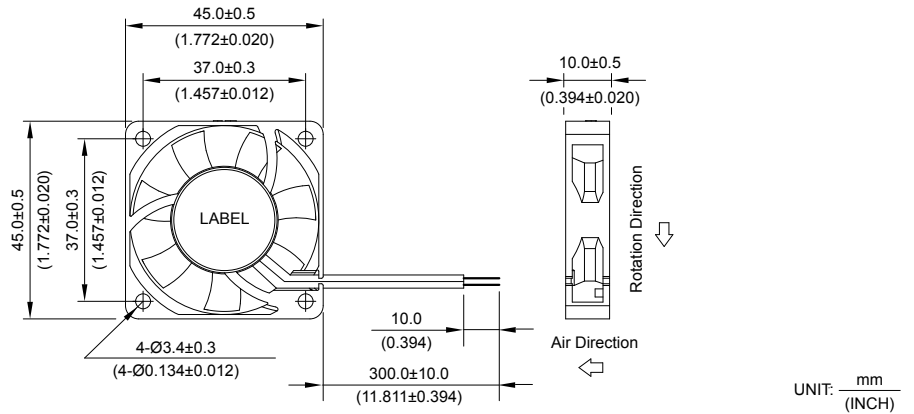
*New*



- \* Bearing Type  
Sleeve Bearing
- \* Material  
Impeller & Frame : Plactic (UL 94V-0)
- \* Lead Wires :  
UL 1007 AWG #28 OR Equivalent  
Red Wire Positive (+)  
Black Wire Negative(-)
- \* Weight : 15.5g (0.55 OZ)
- \* Rib Type Only

## ASB 45 x 45 x 10 MM SERIES

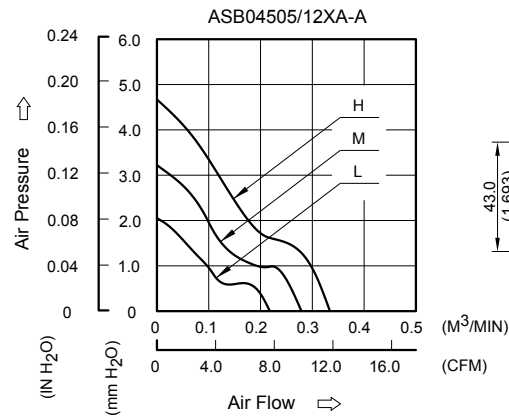
### ■ DIMENSIONS DRAWING



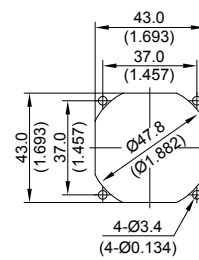
UNIT: mm  
(INCH)

### ■ P & Q CURVE (AT RATED VOLTAGE)

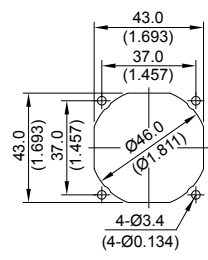
### ■ MOUNTING PANEL CUTOUT



#### OUTLET SIDE



#### INLET SIDE



UNIT: mm  
(INCH)

MODEL			Rated Voltage	Operating Voltage Range	Rated Current	Rated Input Power	Speed	Maximum Air Flow		Maximum Air Pressure		Noise
PART NO.	REV.	FUNCTION	VDC	VDC	Amp	Watt	R.P.M.	m <sup>3</sup> /min	CFM	mmH <sub>2</sub> O	IN H <sub>2</sub> O	dB-A
ASB04505LA	-A	-R00 / -F00	5	4.0 to 5.5	0.11	0.55	4000	0.218	7.70	2.05	0.081	24.5
ASB04512LA	-A	-R00 / -F00	12	9.0 to 13.8	0.06	0.72						
ASB04505MA	-A	-R00 / -F00	5	4.0 to 5.5	0.17	0.85	5000	0.279	9.85	3.22	0.127	30.0
ASB04512MA	-A	-R00 / -F00	12	7.0 to 13.8	0.09	1.08						
ASB04505HA	-A	-R00 / -F00	5	4.0 to 5.5	0.27	1.35	6000	0.334	11.80	4.67	0.184	34.5
ASB04512HA	-A	-R00 / -F00	12	7.0 to 13.8	0.12	1.44						

- \* Function type is optional.
- \* The max. air flow and the speed are measured in free air ; max. air pressure is measured at zero air flow.
- \* Noise is measured in anechoic chamber in free air, one meter from intake side.
- \* All readings are typical values at rated voltage.
- \* Specifications are subject to change without notice.