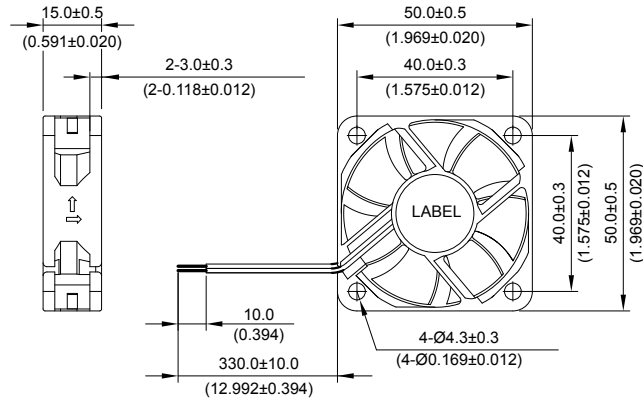


New



AUB 50 x 50 x 15 MM SERIES

■ DIMENSIONS DRAWING

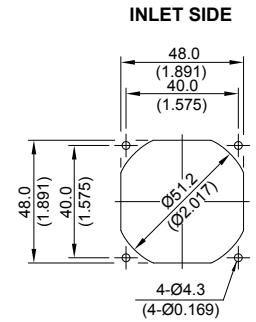
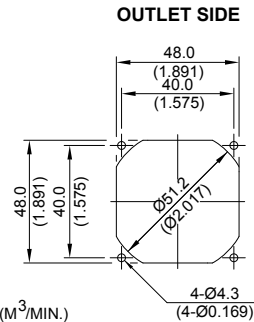
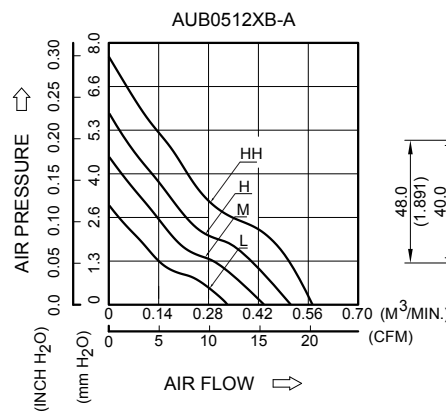


UNIT: $\frac{\text{mm}}{\text{(INCH)}}$

- * Bearing Type
Superflo Bearing
- * Material
Impeller & Frame : Plactic (UL 94V-0)
- * Lead Wires :
UL 1007 AWG #28 OR Equivalent
Red Wire Positive (+)
Black Wire Negative(-)
- * Weight : 20g (0.71 OZ)
- * Rib Type Only

■ P & Q CURVE (AT RATED VOLTAGE)

■ MOUNTING PANEL CUTOUT



UNIT: $\frac{\text{mm}}{\text{(INCH)}}$

MODEL			Rated Voltage	Operating Voltage Range	Rated Current	Rated Input Power	Speed	Maximum Air Flow		Maximum Air Pressure		Noise
PART NO.	REV.	FUNCTION	VDC	VDC	Amp	Watt	R.P.M.	m ³ /min	CFM	mmH ₂ O	IN H ₂ O	dB-A
AUB0512LB	-A	-R00 / -F00	12	7.0 to 13.2	0.07	0.84	4300	0.330	11.67	3.03	0.119	24.0
AUB0512MB	-A	-R00 / -F00	12	7.0 to 13.2	0.10	1.20	5300	0.434	15.32	4.50	0.177	30.0
AUB0512HB	-A	-R00 / -F00	12	7.0 to 13.2	0.14	1.68	6300	0.509	17.97	5.84	0.230	34.0
AUB0512HHB	-A	-R00 / -F00	12	7.0 to 13.2	0.18	2.16	7400	0.572	20.22	7.58	0.299	38.5

- * Function type is optional.
- * The max. air flow and the speed are measured in free air ; max. air pressure is measured at zero air flow.
- * Noise is measured in anechoic chamber in free air, one meter from intake side.
- * All readings are typical values at rated voltage.
- * Specifications are subject to change without notice.