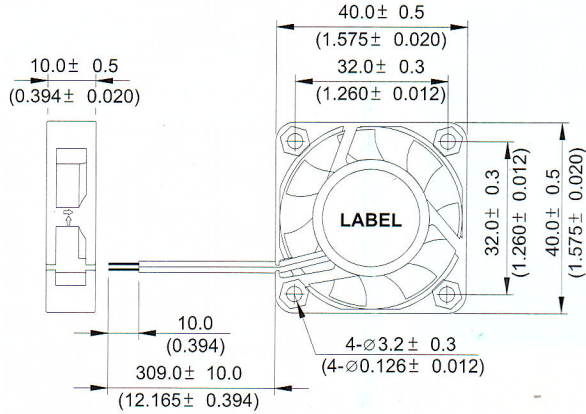


# EFB 40 x 40 x 10 MM SERIES

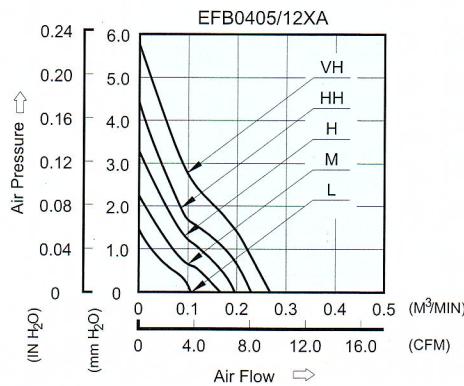
## DIMENSIONS DRAWING



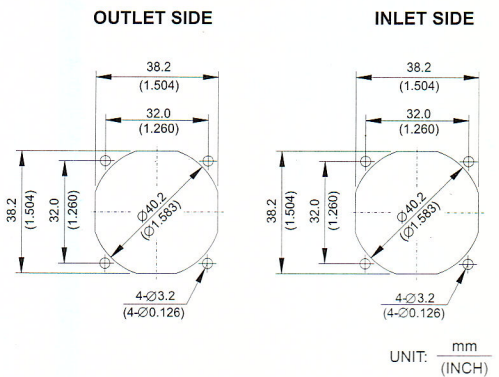
- \* Bearing Type  
Two Ball Bearings
- \* Material  
Impeller & Frame : Plastic(UL 94V-0)
- \* Lead Wires :  
UL 1007 AWG #28 OR Equivalent  
Red Wire Positive(+)  
Black Wire Negative(-)
- \* Weight : 14.5g (0.51 OZ)
- \* Rib Type Only



## P & Q CURVE (AT RATED VOLTAGE)



## MOUNTING PANEL CUTOUT



| MODEL      |             | Rated Voltage | Operating Voltage Range | Rated Current | Rated Input Power | Speed  | Maximum Air Flow    |      | Maximum Air Pressure |                     | Noise |
|------------|-------------|---------------|-------------------------|---------------|-------------------|--------|---------------------|------|----------------------|---------------------|-------|
| TWO BALLS  | FUNCTION    | VDC           | VDC                     | Amp           | Watt              | R.P.M. | M <sup>3</sup> /min | CFM  | mmH <sub>2</sub> O   | IN H <sub>2</sub> O | dB-A  |
| EFB0405LA  | -R00 / -F00 | 5             | 4.5 to 5.5              | 0.07          | 0.35              | 4000   | 0.106               | 3.74 | 1.45                 | 0.057               | 20.5  |
| EFB0412LA  | -R00 / -F00 | 12            | 7.0 to 13.8             | 0.05          | 0.60              |        |                     |      |                      |                     |       |
| EFB0405MA  | -R00 / -F00 | 5             | 4.5 to 5.5              | 0.10          | 0.50              | 5000   | 0.167               | 5.90 | 2.24                 | 0.088               | 24.5  |
| EFB0412MA  | -R00 / -F00 | 12            | 7.0 to 13.8             | 0.06          | 0.72              |        |                     |      |                      |                     |       |
| EFB0405HA  | -R00 / -F00 | 5             | 4.5 to 5.5              | 0.13          | 0.65              | 6000   | 0.196               | 6.92 | 3.28                 | 0.129               | 28.5  |
| EFB0412HA  | -R00 / -F00 | 12            | 7.0 to 13.8             | 0.08          | 0.96              |        |                     |      |                      |                     |       |
| EFB0405HHA | -R00 / -F00 | 5             | 4.5 to 5.5              | 0.19          | 0.95              | 7000   | 0.229               | 8.09 | 4.42                 | 0.174               | 33.0  |
| EFB0412HHA | -R00 / -F00 | 12            | 7.0 to 13.8             | 0.10          | 1.20              |        |                     |      |                      |                     |       |
| EFB0412VHA | -R00 / -F00 | 12            | 7.0 to 13.8             | 0.15          | 1.80              |        |                     |      |                      |                     |       |

\* Function type is optional.  
 \* The max. air flow and the speed are measured in free air ; max. air pressure is measured at zero air flow.  
 \* Noise is measured in anechoic chamber in free air, one meter from intake side.  
 \* All readings are typical values at rated voltage.  
 \* Specifications are subject to change without notice.