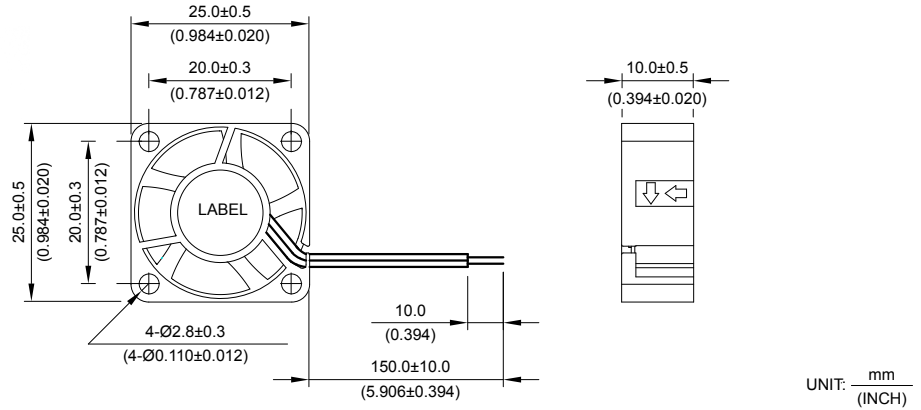


New



ASB 25 x 25 x 10 MM SERIES

■ DIMENSIONS DRAWING

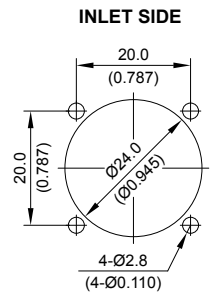
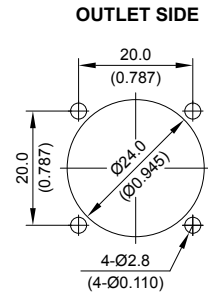
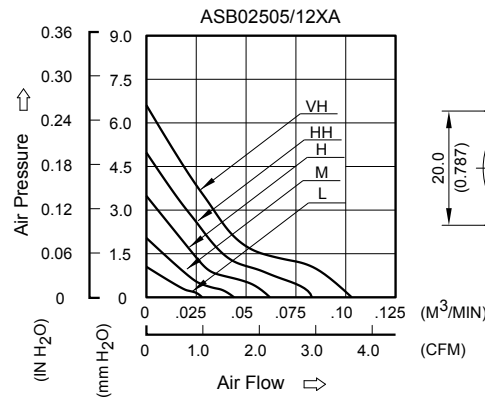


UNIT: $\frac{\text{mm}}{\text{(INCH)}}$

- * Bearing Type
Sleeve Bearing
- * Material
Impeller & Frame : Plactic (UL 94V-0)
- * Lead Wires :
UL 1061 AWG #26 OR Equivalent
Red Wire Positive (+)
Black Wire Negative(-)
- * Weight : 7.0g (0.25 OZ)
- * Rib Type Only

■ P & Q CURVE (AT RATED VOLTAGE)

■ MOUNTING PANEL CUTOUT



UNIT: $\frac{\text{mm}}{\text{(INCH)}}$

MODEL		Rated Voltage	Operating Voltage Range	Rated Current	Rated Input Power	Speed	Maximum Air Flow		Maximum Air Pressure		Noise
PART NO.	FUNCTION	VDC	VDC	Amp	Watt	R.P.M.	m ³ /min	CFM	mmH ₂ O	IN H ₂ O	dB-A
ASB02505LA	-R00 / -F00	5	4.0 to 6.0	0.04	0.20	5000	0.028	0.99	1.05	0.041	3.5
ASB02505MA	-R00 / -F00	5	4.0 to 6.0	0.06	0.30	7000	0.044	1.55	2.04	0.080	11.0
ASB02512MA	-R00 / -F00	12	6.5 to 13.8	0.04	0.48						
ASB02505HA	-R00 / -F00	5	4.0 to 6.0	0.09	0.45	9000	0.062	2.18	3.49	0.137	18.0
ASB02512HA	-R00 / -F00	12	6.5 to 13.8	0.07	0.84						
ASB02505HHA	-R00 / -F00	5	4.0 to 6.0	0.18	0.90	11000	0.082	2.89	4.98	0.196	25.0
ASB02505VHA	-R00 / -F00	5	4.0 to 6.0	0.22	1.10	13000	0.103	3.63	6.61	0.260	28.0

* Function type is optional.
 * The max. air flow and the speed are measured in free air ; max. air pressure is measured at zero air flow.
 * Noise is measured in anechoic chamber in free air, one meter from intake side.
 * All readings are typical values at rated voltage.
 * Specifications are subject to change without notice.